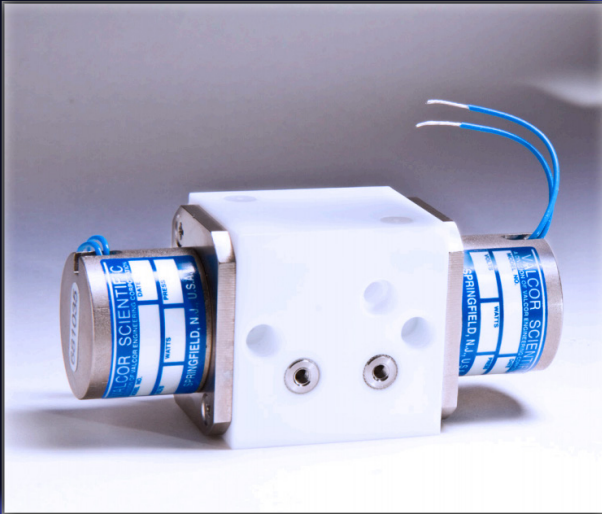


# SV74GM-2

## 2 Valve Gradient Manifold



Valcor Engineering Corporation



### DESCRIPTION

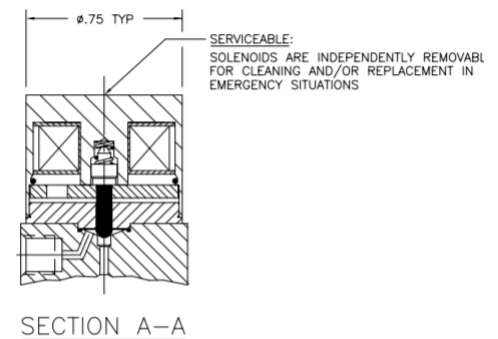
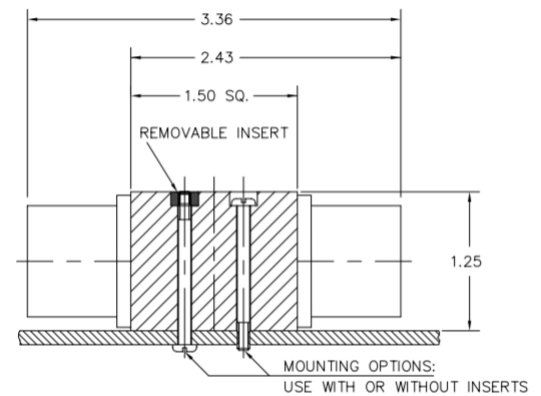
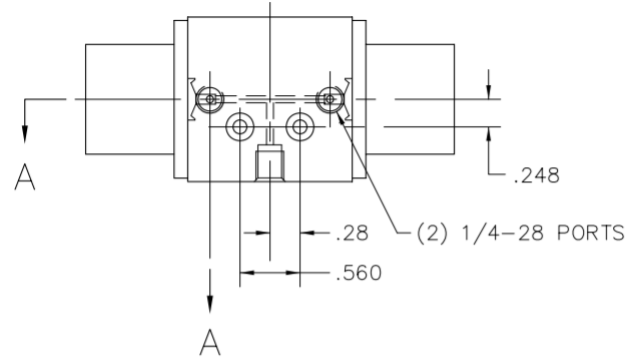
The SV74GM-2 series Gradient Manifolds incorporate our SV74-series into a 2-valve manifold assembly. The valves provide high purity isolation of the media from the valve mechanism by excluding all metal components from the fluid path. Only PTFE or PEEK are in contact with the media. They are designed to handle ultra high purity or extremely corrosive liquids and gases without contaminating the media integrity. The manifolds eliminate the need for interconnecting tubing and fittings when standalone valves are used. They are usable as a diverter with a common inlet and independently switched outlets, or as a selector, with independently switched inlets and a common outlet.

### APPLICATION

The SV74GM-2 series are designed for analytical and medical instruments requiring total isolation of the media from the valve mechanism. Low internal volume makes purging and sterilization between media batch changes fast and efficient. Applications include: gradient and solvent mixing and distribution, blood analyzers and packaging equipment, analytical and medical instruments and equipment, clinical instruments, reagent and diluent dispensers, and printing inks, dyes, and colorants.

### FEATURES

- Low power consumption is ideal for portable battery powered instruments
- 30 PSIG max pressure, optional 100 PSIG available
- 28" Hg vacuum
- Low internal volume
- Bi-directional flow capability
- Low power 12 and 24 VDC coils rated for continuous duty
- Panel mountable manifold with all ports on the same face
- Mountable in any orientation
- Fully customizable for your application



Custom designs are our specialty. Contact us today to see how we can help on your next project.

Valcor Engineering Corporation  
2 Lawrence Road | Springfield, NJ 07081  
(973) 467-8400 | scientific@valcor.com  
www.valcor.com

# SV74GM-2

## 2 Valve Gradient Manifold



### Valve Parts in Contact with Fluid

Body	PTFE
Diaphragm	PTFE

### Other Parts

Armature	430F SS
Spring	303 SS
Coil Housing	Nickel Plated Steel
Base Plate	Nickel Plated Steel

### Specifications

Port Size	Orifice Size (ins.)	Max. Pressure (PSI)		Model Number	Voltage	Wattage
		Gas & Liquid	Vacuum (in. Hg)			
<b>SV74GM 2-Way Normally Closed, Gradient Manifold of (2)</b>						
1/4-28	0.062"	30	28	SV74GMP25T2-1	12 VDC	1.5
1/4-28	0.062"	30	28	SV74GMP25T2-2	24VDC	1.5
1/4-28	0.095"	30	28	SV74GMP60T2-1	12 VDC	4.2
1/4-28	0.095"	30	28	SV74GMP60T2-2	24 VDC	4.2
1/8" NPS*	0.156"	30	28	SV74GMP48T2-1	12 VDC	7.2
1/8" NPS*	0.156"	30	28	SV74GMP48T2-2	24 VDC	7.2

For Temperature and Duty Cycle information, please consult "Temp and Duty Cycle" link under Technical Information on our website. Alternate voltage of 6 VDC & 115V/60 HZ available upon request. Please consult factory for availability & part number. High pressure version available up to 100 PSI ('-HP'). Please consult factory for availability of specific constructions. \* 1/8" -27 NPS ( National Pipe Straight ) thread. Flat bottom.