

# SV603

High Purity Precision Dispensing Pump, Solenoid Operated, Piston Driven



Valcor Engineering Corporation



## DESCRIPTION

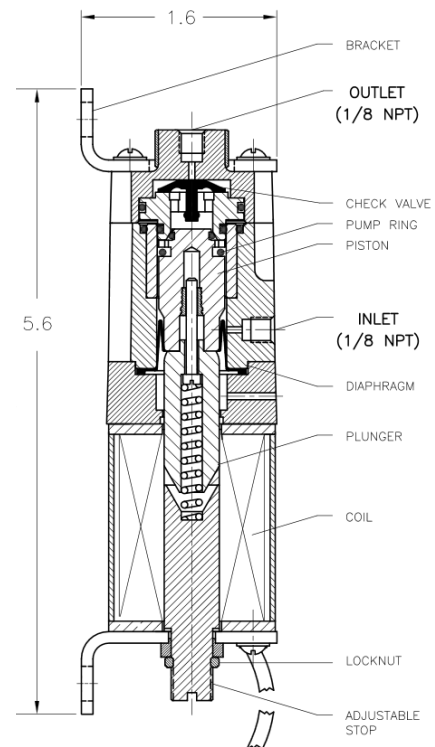
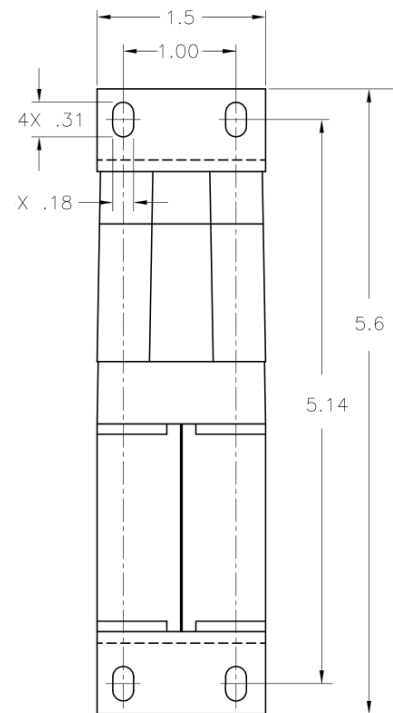
The SV603 Series High Purity Precision Dispensing Pumps are compact piston operated, variable displacement metering pumps designed to dispense precise volumes of liquid. No metallic parts are in the flow path. Only polypropylene, glass, and elastomers are in contact with the media. Dispense volume is set using the external adjustment. Cycling the pump on and off creates a single, discrete dispense volume. Multiple cycles create a total dispensed volume. The pump is pulsed continuously to create a metered flow. The simple design ensures accurate dispensing over an exceptionally long service life without the need for maintenance.

## APPLICATION

The SV603 series are used to dispense any high purity liquid compatible with polypropylene, glass and elastomer seals. Examples include: analytical and medical instruments and equipment, highly acidic or alkaline liquid dispensers, pH adjustment systems, liquid chromatography reagents and dilutents, and potable and waste water treatment chemicals.

## FEATURES

- Dispense volume range of 100 $\mu$ L to 1500 $\mu$ L per stroke (AC version)
- Flow Rate: 180 mL/min of water or similar viscosity liquids
- Self-priming with up to 60" suction head
- Self-lubricating
- 21 watts at 115/60 Hz or 24 VDC 70° F; continuous duty
- Polypropylene construction with glass sleeve and elastomeric seals
- 1/4" NPT ports
- Economic alternative to syringe & peristaltic pumps
- Fully customizable for your application



Custom designs are our specialty. Contact us today to see how we can help on your next project.

Valcor Engineering Corporation  
2 Lawrence Road | Springfield, NJ 07081  
(973) 467-8400 | scientific@valcor.com  
www.valcor.com

# SV603

High Purity Precision Dispensing Pump, Solenoid Operated, Piston Driven



Valcor Engineering Corporation

## Valve Parts in Contact with Fluid

Wetted Materials Polypropylene, Glass, EDPM or Santoprene

## Electrical

Standard Voltages 115/60 Hz, 24/DC or 12/DC  
Standard Coil Housing General purpose with pigtail leads

## Specifications

Tube Connection	1/8" NPT Min. inlet tube 3/16" I.D. Min. outlet tube 1/8" I.D.
Coil Construction	Class B, 18" Leads
Power	21 Watts (115/60), 21 Watts (24/DC, 12/DC)
Output per Stroke	100 to 1500 µl (AC) 100 to 1200 µl (DC)
Max. Stroke per Minute	120 on H2O
Max. Dispense CAP Rate	180 ml/min (AC) 144 ml/min (DC)
Max. Priming Height	60" of H2O
Minimum On-Time	250 milliseconds
Max. On-Time	6 seconds
Repeatability	±2%
Special Requirements	Consult Factory

## Part Number Configurator

Series Number	Voltage	Elastomer
SV603P	115 = 115/60 Hz 24 = 24/DC 12 = 12/DC	E = EPDM/Santoprene

Example: SV603P115E equals SV603 pump with pigtail leads, 115/60 AC coil, EPDM elastomer  
Note: This series is only available with pigtail leads.