

SV102

Miniature Adjustable Pressure Reducing Regulator



Valcor Engineering Corporation



DESCRIPTION

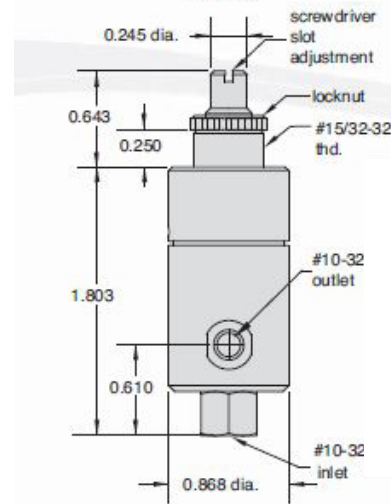
The SV102 Miniature Adjustable Pressure Reducing Regulator is a compact, highly repeatable and accurate non-bleed type regulator; it does not need a constant bleed to provide fast responses to downstream pressure changes. It is offered in both self-relieving and non-relieving designs. The self relieving design maintains a constant downstream pressure even as the downstream pressure starts to increase above the setpoint when the flow rate decrease. These regulators vent to atmosphere. The non-relieving designs cannot compensate for increases above setpoint in downstream pressure and are designed for use in continuously flowing applications only. Polarized porting ensures proper installation and replacement.

APPLICATION

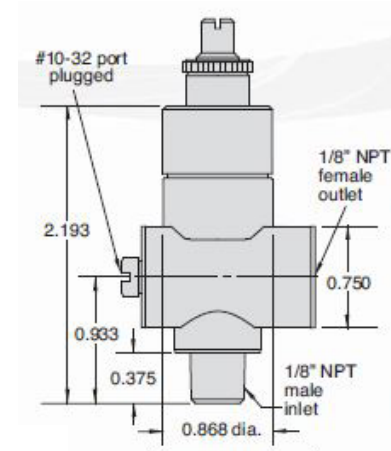
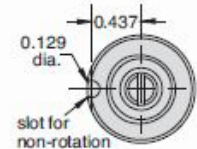
SV102 Miniature Adjustable Pressure Reducing Regulators are ideal for air and non-corrosive gas and liquid instrumentation applications requiring precision pressure control with exceptionally long service life. Applications include: inert atmosphere packaging applications, push gas control in pressurized liquid delivery systems, low volume liquid packaging equipment, vacuum pick and place systems, TIG and MIG shielding gas control, and air bearing pressure control.

FEATURES

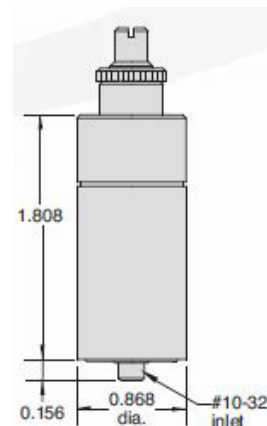
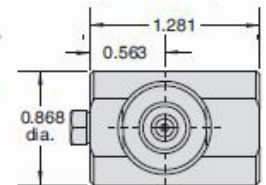
- 300 PSIG maximum inlet pressure
- .5-10 PSIG, 1-50 PSIG, or 2-100 PSIG control pressure range
- 200 I/Min flow at 100 PSIG inlet pressure
- Extremely fast response to downstream pressure changes
- Low hysteresis ensures highly repeatable current to flow settings
- Screwdriver pressure setpoint adjustment
- 32 - 230°F media temperature
- Mountable in any orientation
- Fully customizable for your application



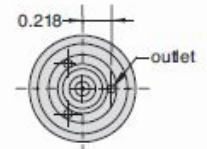
SV102AR3V



SV102CR3V



SV102BR3V



Custom designs are our specialty. Contact us today to see how we can help on your next project.

Valcor Engineering Corporation
2 Lawrence Road | Springfield, NJ 07081
(973) 467-8400 | scientific@valcor.com
www.valcor.com

SV102

Miniature Adjustable Pressure Reducing Regulator

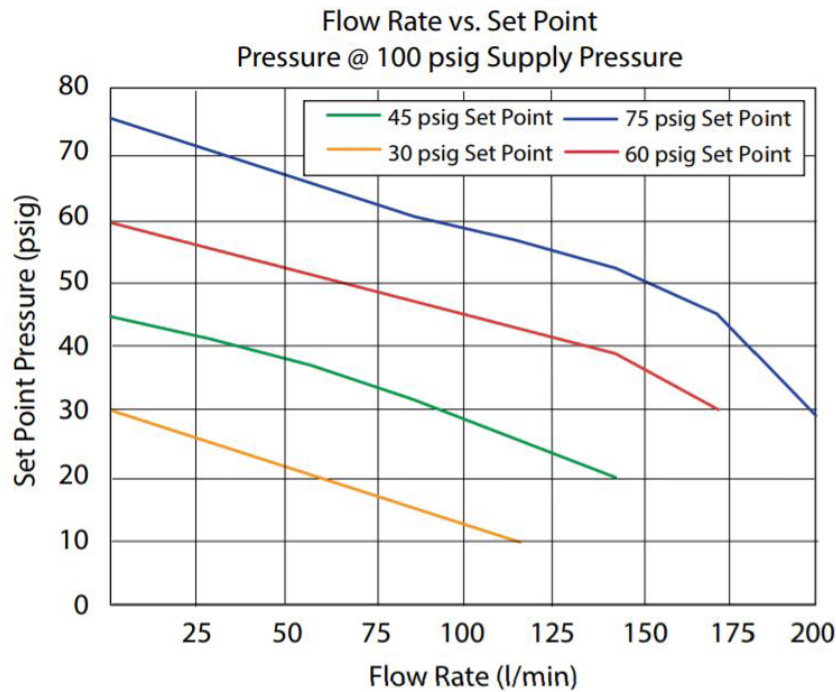


Valcor Engineering Corporation

Specifications

Size	3.8" H x 2.00" @ x 3.1" D
Weight	6.0 oz. (628 g)
Port Connection	1/8" NPT inlet port 1/4" NPT outlet port
Materials in Contact with Fluid	Brass, FKM, PTFE
Maximum Rated Inlet Pressure	300 PSIG
Regulated Pressure Range	.5-10 PSI, 1-50 PSI, 2-100 PSI
Special Requirements	Consult factory.

Flow Rate



SV102

Miniature Adjustable Pressure Reducing Regulator



Valcor Engineering Corporation

Parts

Valcor P/N	Description	Type	Pressure	Elastomer	Ports I/O
SV102AR3V	Regulator	Relieving	2-100	FKM	10-32
SV102AN3V	Regulator	Nonrelief	2-100	FKM	10-32
SV102AR1V	Regulator	Relieving	.5-10	FKM	10-32
SV102AN1V	Regulator	Nonrelief	.5-10	FKM	10-32
SV102AR2V	Regulator	Relieving	1-50	FKM	10-32
SV102AN2V	Regulator	Nonrelief	1-50	FKM	10-32
SV102BR3V	Regulator, manifold	Relieving	2-100	FKM	10-32/M
SV102BN3V	Regulator, manifold	Nonrelief	2-100	FKM	10-32/M
SV102BR1V	Regulator, manifold	Relieving	.5-10	FKM	10-32/M
SV102BN1V	Regulator, manifold	Nonrelief	.5-10	FKM	10-32/M
SV102BR2V	Regulator, manifold	Relieving	1-50	FKM	10-32/M
SV102BN2V	Regulator, manifold	Nonrelief	1-50	FKM	10-32/M
SV102CR3V	Regulator, NPT	Relieving	2-100	FKM	1/8 NPT
SV102CN3V	Regulator, NPT	Nonrelief	2-100	FKM	1/8 NPT
SV102CR1V	Regulator, NPT	Relieving	.5-10	FKM	1/8 NPT
SV102CN1V	Regulator, NPT	Nonrelief	.5-10	FKM	1/8 NPT
SV102CR2V	Regulator, NPT	Relieving	1-50	FKM	1/8 NPT
SV102CN2V	Regulator, NPT	Nonrelief	1-50	FKM	1/8 NPT