

# V44700-196

2-Way Direct Acting Non-Code Coaxial Solenoid Valve



Valcor Engineering Corporation

## DESCRIPTION

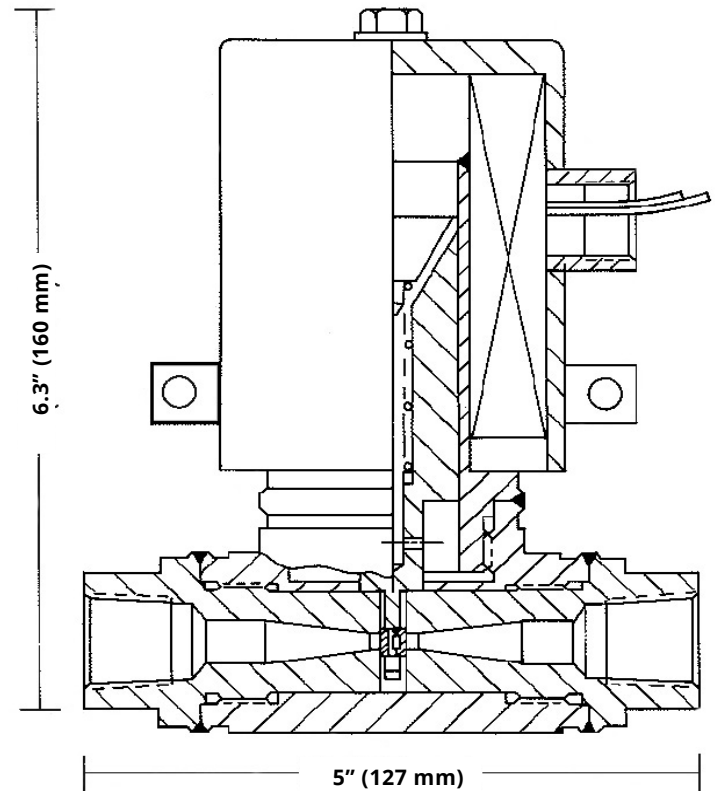
V44700-196 2-way solenoid valves are specifically designed for gas or liquid applications in the nuclear energy industry. They utilize Valcor's proprietary floating seal technology which provides tight shut-off, long service life, and the ability to handle particulates in the fluid stream without leaking. The coaxial flow path provides for low pressure drop and bidirectional flow capability. These valves are direct acting, and do not require system pressure to operate. The compact size and low weight allow these valves to be used in the tightest space available. They can control gases and liquids at high temperatures and flows.

## APPLICATION

Typical applications include feed water control systems, dump lines, make-up water, and miscellaneous process systems. Also, this valve is used in monitoring/sampling and chemical injection.

## FEATURES

- All welded stainless steel pressure vessel eliminates potential for external leakage
- High cycle life - over 100,000 operations in most applications
- Compact coaxial design
- Resistant to contamination and sludge buildup
- Available in normally closed configuration
- Carbon seal disc
- Electrical connector and mating plug available
- NEMA 4 stainless steel coil housing
- Stress and seismic analysis available
- Optional mounting bracket



Custom designs are our specialty. Contact us today to see how we can help on your next project.

Valcor Engineering Corporation  
2 Lawrence Road | Springfield, NJ 07081  
(973) 467-8400 | nuclear@valcor.com  
www.valcor.com

# V44700-196

2-Way Direct Acting Non-Code Coaxial Solenoid Valve



Valcor Engineering Corporation

## Operating Pressure & Flow Ratings

---

Media	Operating Pressure (PSIG)	Ambient Temp.	Min. Volts DC	Cv
Liquid or Gas	1250	200°F	24	1.0

## Specifications

---

Solenoid Operator	Class H materials or better.
Solenoid Housing	Totally enclosed. Meets minimum of NEMA 4 or better.
Line Connection	Standard: NPT threads. Optional: butt weld or tube extensions, socket weld and flanged
Body Material	Stainless Steel
Radiation Resistance	Standard at $1 \times 10^{-8}$ rads.

Custom designs are our specialty. Contact us today to see how we can help on your next project.

Valcor Engineering Corporation  
2 Lawrence Road | Springfield, NJ 07081  
(973) 467-8400 | [nuclear@valcor.com](mailto:nuclear@valcor.com)  
[www.valcor.com](http://www.valcor.com)