

V13300-27

4-Way Pilot Operated Solenoid Valve



Valcor Engineering Corporation



DESCRIPTION

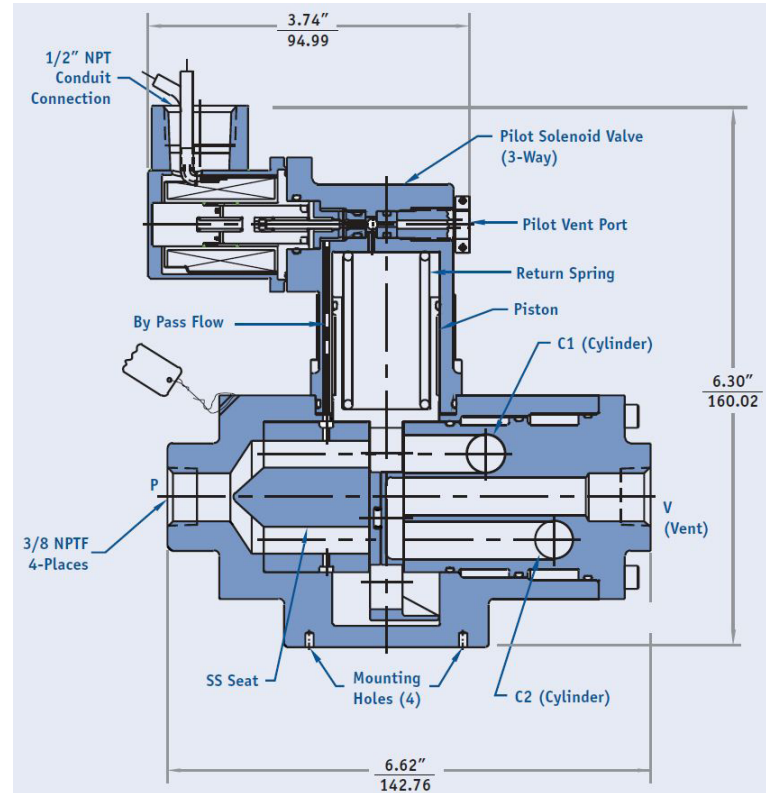
The V13300-27 are 2 position 4-way pilot operated solenoid valves specifically designed for controlling double-acting pneumatic cylinders and actuators in the nuclear power industry. They utilize Valcor's proprietary floating seal technology which provides tight shut-off, long service life, and the ability to handle particulates in the fluid stream without leaking, and are highly favored over conventional solenoid valves in BWR, PWR and CANDU power stations. Their compact, lightweight design provides excellent resistance to seismic vibration and shock. A completely enclosed and encapsulated coil insures continuous operation during a LOCA event.

APPLICATION

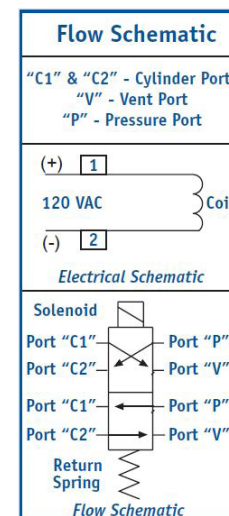
Typical applications include controlling double-acting pneumatic cylinders and actuators, including blow down applications.

FEATURES

- Compact size and low weight
- Brass body standard, stainless steel and aluminum options available
- 48 VDC coil requires less than 20 watts of power
- H Class magnet wire
- 36" pigtailed
- NEMA 4 and NEMA 7 seal welded stainless steel coil housing
- Easy coil replacement without disturbing the process piping
- Mountable in any orientation



Inches
Millimeters



Custom designs are our specialty. Contact us today to see how we can help on your next project.

Valcor Engineering Corporation
2 Lawrence Road | Springfield, NJ 07081
(973) 467-8400 | nuclear@valcor.com
www.valcor.com

V13300-27

4-Way Pilot Operated Solenoid Valve



Valcor Engineering Corporation

Operating Pressure & Flow Ratings

Operating Modes Normally Open/Closed	Cv	Operating Pressure (PSIG)	Ambient Temp.	Min. Volts DC
NO and NC	2.2	50-200	150°F	48

Specifications

Solenoid Operator	1/2" conduit hub NEMA 4 and NEMA 7 compliant Class H magnet wire 20 watts @ 120 VDC, 48 VDC or 125 VDC and 72°F continuous duty 36" pigtailed standard
Line Connection	3/8" NPT ports
Body Material	Brass standard

Custom designs are our specialty. Contact us today to see how we can help on your next project.

Valcor Engineering Corporation
2 Lawrence Road | Springfield, NJ 07081
(973) 467-8400 | nuclear@valcor.com
www.valcor.com