

V57300

3-Way Normally Open or Normally Closed High Pressure Solenoid Valve



Valcor Engineering Corporation



DESCRIPTION

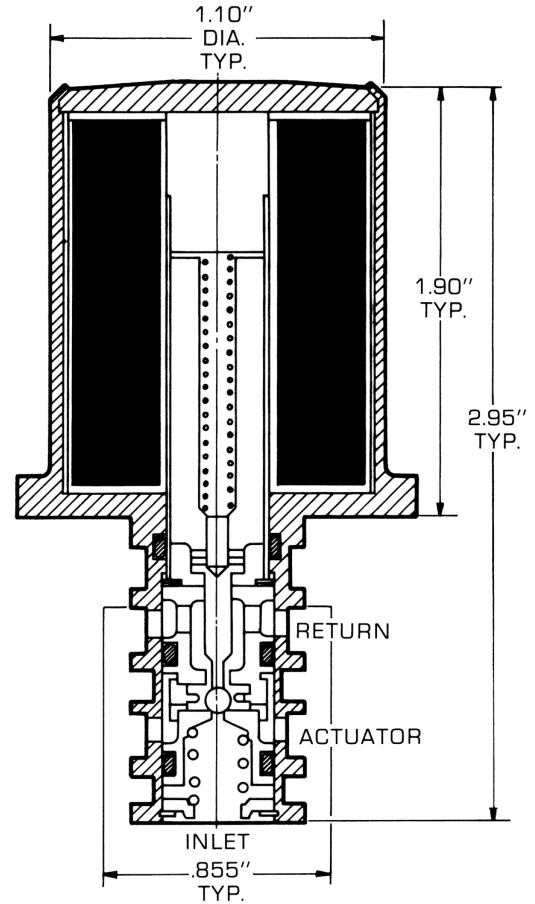
V57300 are direct acting 3-way/2 position solenoid valves designed to control high pressures of non-corrosive and corrosive gases and liquids. Their compact size and low weight allow these valves to be used in the tightest space available. Manifold mounting allows for easy maintenance, saves additional space, and provides for vibration-proof leak-tight pressure boundary seals. They are well-suited for the extreme vibration, temperature, and cycle life requirements found in the most severe aircraft operating conditions. V57300 valves are available in a normally closed or normally open configuration.

APPLICATION

V57300 valves are typically used in non-corrosive gases and liquids that require a high-pressure 3-way valve. They are also suitable for use in piloting higher flow valves.

FEATURES

- Maximum Operating Pressure: 0-3500 PSIG
- Proof Pressure: 5250 PSIG
- Burst Pressure: 7000 PSIG
- Flow Rate: $C_v=0.074$; $C_d=0.65$
- Leak Rate: Internal is 1.0 cc/hr liquid, 18 cc/min gas. External is 0 cc/min at 1500 PSIG
- Temperature: -65°F to $+350^{\circ}\text{F}$
- Current: 1.5 amps at 30 VDC at 70°F ; 18-30 VDC Continuous Duty
- Electric Connection: Pigtails are standard; optional connectors available.
- Wetted Materials: Aluminum, CRES 303, 430F, 302, Fluorosilicone
- Manifold mount standard
- Fully customizable to your application



Operating Pressure & Flow Ranges

Equiv. Sharp Edged Orifice $CD=0.65$	C_v	Operating Pressure (PSIG)	Ambient Temp.	Min. Volts DC
0.062	0.074	0-3500	165°F	18

Custom designs are our specialty. Contact us today to see how we can help on your next project.

Valcor Engineering Corporation
2 Lawrence Road | Springfield, NJ 07081
(973) 467-8400 | aircraft@valcor.com
www.valcor.com