

# V70900

## 3-Way High Flow High Pressure Solenoid Valve



Valcor Engineering Corporation



### DESCRIPTION

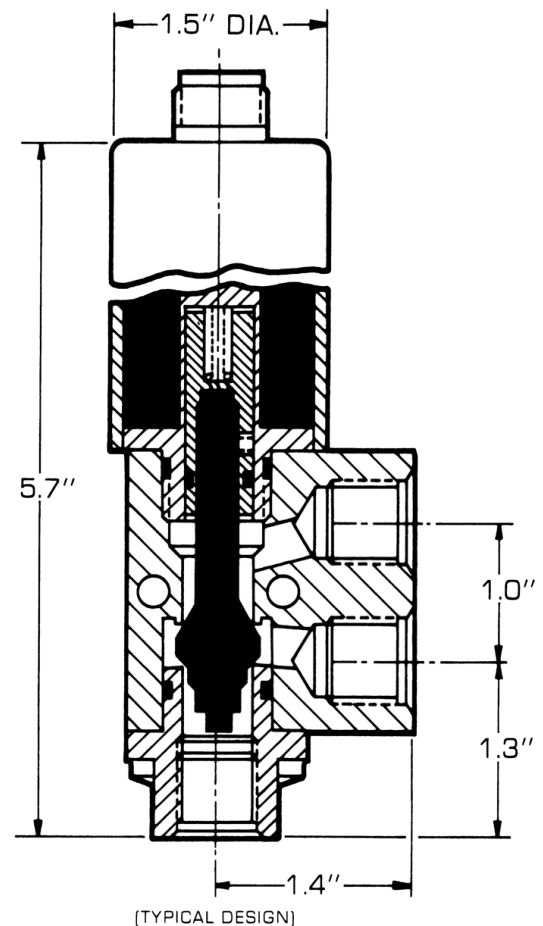
V70900 are direct acting 3-way/2 position solenoid valves designed to control high pressures of non-corrosive and corrosive gases and liquids. Their compact size and low weight allow these valves to be used in the tightest space available. They are well-suited for the extreme vibration, temperature, and cycle life requirements found in the most severe aircraft operating conditions. V70900 valves are usable in a normally closed or normally open configuration, as well for use as a diverter or selector.

### APPLICATION

V70900 valves are typically used with fuel, hydraulic fluid and non-corrosive gases and liquids that require a high-pressure 3-way valve. They are also suitable for use in piloting higher flow or higher pressure valves or to actuate single-acting cylinders.

### FEATURES

- Maximum Operating Pressure: 0-3000 PSIG
- Proof Pressure: 4500 PSIG
- Burst Pressure: 5000 PSIG
- Flow Rate:  $C_v=1.18$ ;  $C_d=0.65$
- Leak Rate: Internal is 0 cc/min liquid, 10 cc/hr gas. External is 0 cc/min at 3000 PSIG
- Temperature:  $-65^{\circ}\text{F}$  to  $+165^{\circ}\text{F}$
- Current: 2.0 amps at 28 VDC and  $70^{\circ}\text{F}$ ; 18-30 VDC intermittent duty
- Electrical Connection: MS3102R-10SL-4P standard
- Wetted Materials: 302, 303, 430F, Aluminum, Fluorosilicone
- 1/4", 3/8" and 1/2" OD line porting
- Fully customizable to your application



Custom designs are our specialty. Contact us today to see how we can help on your next project.

Valcor Engineering Corporation  
2 Lawrence Road | Springfield, NJ 07081  
(973) 467-8400 | [aircraft@valcor.com](mailto:aircraft@valcor.com)  
[www.valcor.com](http://www.valcor.com)

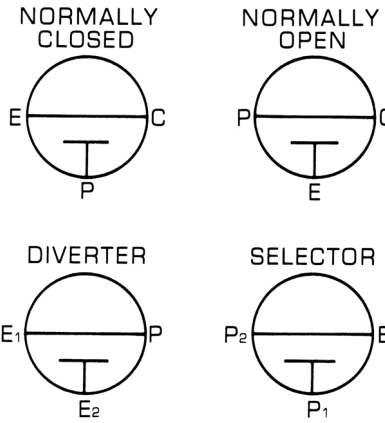
# V70900

## 3-Way High Flow High Pressure Solenoid Valve



Valcor Engineering Corporation

### 3-Way Modes



E=EXHAUST  
C=CYLINDER  
P=LINE PRESSURE  
ALL VIEWS  
SHOWN DE-ENERGIZED

### Operating Pressure & Flow Ranges

Equiv. Sharp Edged Orifice CD=0.65	Cv	Operating Pressure (PSIG)	Ambient Temp.	Min. Volts DC
0.25	1.18	0-3000	165°F	18

### Electrical Data

Voltage	18 to 30 VDC
Duty	Intermittent
Current	2.0 amps at 28 VDC and 70°F
Electrical Connector	MS3102R-10SL-4P standard

### Leakage

External	0 cc/min at 3000 PSIG
Internal	Liquid: 0 cc/min Gas: 10 cc/hr

Custom designs are our specialty. Contact us today to see how we can help on your next project.

Valcor Engineering Corporation  
2 Lawrence Road | Springfield, NJ 07081  
(973) 467-8400 | [aircraft@valcor.com](mailto:aircraft@valcor.com)  
[www.valcor.com](http://www.valcor.com)