

V68000

2-Way Normally Open or Normally Closed Coaxial Shut-Off Solenoid Valve



Valcor Engineering Corporation



DESCRIPTION

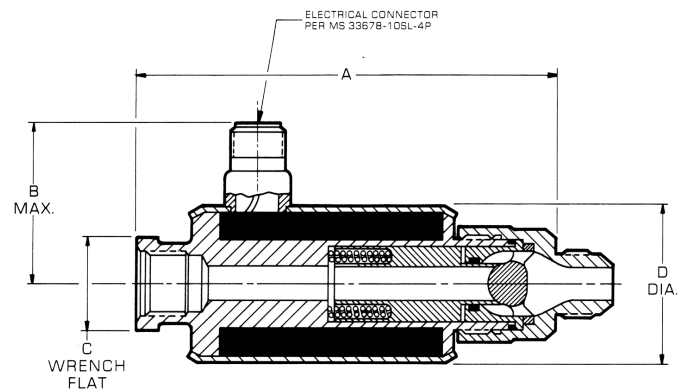
V68000 is a direct acting coaxial, solenoid shut-off valve. It uses a pressure-balanced design that enables it to control high flows and high pressures while minimizing current draw. It is well-suited for the extreme vibration, temperature, and cycle life requirements found in the most severe aircraft and rotorcraft operating conditions. Its coaxial design allows for minimal pressure drop and uses a poppet with a resilient seal for tight shut-off. These valves are direct acting, and do not require system pressure to operate. The V68000 is available in a normally closed or normally open configuration.

APPLICATION

V68000 valves are used for non-corrosive fuel, hydraulic, and pneumatic applications where the control of high pressures and high flows are required.

FEATURES

- Maximum Operating Pressure: 0-3000 PSIG
- Proof Pressure: 4500 PSIG
- Burst Pressure: 7500 PSIG
- Leak Rate: Internal is 4 scc/hr gas, 0 cc/min liquid. External is 0 cc/min at 3000 PSIG
- Temperature: -65°F to +165°F (standard), -65°F to +350°F also available
- Current: 1.5 amps at 30 VDC at 70°F; 13-30 VDC continuous duty
- Electrical Connection: MS3102-10SL-4P standard
- Wetted Materials: CRES 303, 430F, 302, Fluorosilicone
- Weight: Cv 0.3=0.7 lbs.; Cv 0.8=1.6 lbs.; Cv 1.5=2.3 lbs.
- 1/4", 3/8" and 1/2" O.D. line available
- Fully customizable for your application



Tabulation

Port Size	A	B	C	D
-4	3.06"	1.687"	0.687"	1.30"
-6	3.90"	1.859"	0.812"	1.63"
-8	4.60"	1.937"	1.062"	1.82"

Custom designs are our specialty. Contact us today to see how we can help on your next project.

Valcor Engineering Corporation
2 Lawrence Road | Springfield, NJ 07081
(973) 467-8400 | aircraft@valcor.com
www.valcor.com

V68000

2-Way Normally Open or Normally Closed Coaxial Shut-Off Solenoid Valve



Valcor Engineering Corporation

Operating Pressure & Flow Ranges

Port Size	Equiv. Sharp Edged Orifice CD=0.65	Cv	Operating Pressure (PSIG)	Ambient Temp.	Min. Volts DC
-4	0.125	0.3	0-3000	165°F	18
-6	0.200	0.8	0-3000	165°F	18
-8	0.285	1.5	0-3000	165°F	18

These ratings are based on using hydraulic fluids. For higher temperatures, the pressure rating must be reduced. The following table approximates the derating required.

Temperature	Derating Factor
250°F	0.71
350°F	0.62

Electrical Data

Voltage	18 to 30 VDC (higher ratings available)
Duty	Continuous
Current	1.5 amps typical
Electrical Connector	MS3102-10SL-4P is standard. Other receptacles available.

Leakage

External	0 cc/min at 3000 PSIG
Internal	Liquid Service: 0 cc/min Gas Service: 4 scc/hr

Custom designs are our specialty. Contact us today to see how we can help on your next project.

Valcor Engineering Corporation
2 Lawrence Road | Springfield, NJ 07081
(973) 467-8400 | aircraft@valcor.com
www.valcor.com