

V44700 – Direct Acting Series

2-Way Normally Open or Normally Closed Shut-Off Solenoid Valve



Valcor Engineering Corporation



DESCRIPTION

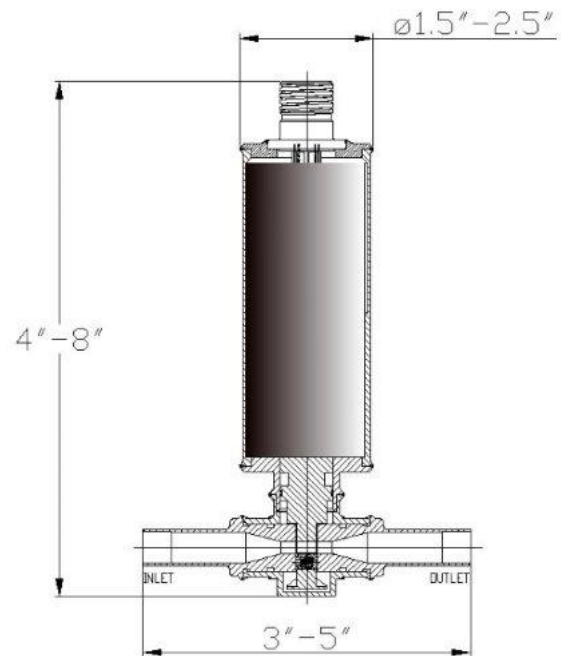
V44700 valves are designed to handle hot gases and corrosive liquids, as well as cryogenic gases and liquids. Their compact size and low weight allow these valves to be used in the tightest space available. They utilize Valcor's proprietary floating seal technology which provides tight shut-off, long service life, and the ability to handle particulates in the fluid stream without leaking. These valves are direct acting, and do not require system pressure to operate. Their all-welded construction provides a leak-proof external seal. They are well-suited for the extreme vibration, temperature, and cycle life requirements found in the most severe aircraft operating conditions.

APPLICATION

V44700 valves are widely used in applications that include hot gas, cryogenic gases or liquids, and corrosive or inert gases and liquids. They are particularly suitable for low pressure drop applications, where particulate in the process fluid may be present.

FEATURES

- Maximum Operating Pressure: 0-1000 PSIG
- Proof Pressure: 1500 PSIG
- Burst Pressure: 2500 PSIG
- Flow Rate: Cv: 0.19, 1.50 and 1.85; Cd=0.65
- Temperature: -65°F to +165°F (ambient), -425°F to +650°F (fluid)
- Weight: 1.5 lbs to 2.4 lbs.,
- 1/4", 3/8", and 1/2" OD Line
- All-welded pressure vessel ensures a leak-free pressure boundary seal
- Self-cleaning, wear compensating floating seal design



Custom designs are our specialty. Contact us today to see how we can help on your next project.

Valcor Engineering Corporation
2 Lawrence Road | Springfield, NJ 07081
(973) 467-8400 | aircraft@valcor.com
www.valcor.com

V44700 – Direct Acting Series

2-Way Normally Open or Normally Closed Shut-Off Solenoid Valve



Valcor Engineering Corporation

Operating Pressure & Flow Ranges

Port Size	Equiv. Sharp Edged Orifice CD=0.65	Cv	Operating Pressure (PSIG)	Ambient Temp.	Min. Volts DC
-04	0.100	0.2	1-1000	165°F	18
-06	0.235	1.05	1-150	165°F	18
-08	0.310	1.85	1-60	165°F	18

These ratings are based on using water.

Electrical Data

Voltage	18 to 30 VDC
Duty	Continuous
Current	1.5 amps at 28 VDC and at 70°F
Electrical Connector	To suit customer requirements.

Leakage

External	0 cc/min at 1500 PSIG
Internal	Liquid Service: 0.5 cc/hr Gas Service: 20 scc/min at 1000 PSIG

Custom designs are our specialty. Contact us today to see how we can help on your next project.

Valcor Engineering Corporation
2 Lawrence Road | Springfield, NJ 07081
(973) 467-8400 | aircraft@valcor.com
www.valcor.com