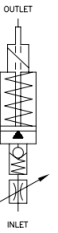


# SV525

Precision Dispensing Pump  
Solenoid Operated, Piston Driven  
Output/Stroke: 10  $\mu$ l to 40  $\mu$ l



Valcor Dispensing / Metering Series



## DESCRIPTION

The SV525 series dispensing pump is a solenoid operated piston driven pump that delivers a wide range of fluids with high precision. By combining the easily adjustable stroke of the pump with variable cycle rates, users have complete control of the volume and rate of dispense for specific applications. Wetted parts are stainless steel and Fluoropolymer or EPDM, making this series suitable to handle a wide range of fluids.

## APPLICATION

The SV525 series is a rugged construction suitable for a variety of dispensing applications such as the following:

- Adhesive or ink dispensing
- Reagents for analyzers or clinical instruments
- Water for humidifications systems
- Lubricants for automated equipment
- Chemicals for pools & spas
- Syrup & flavoring for soda machines
- Fragrance for personal products
- Analyzer sampling

## FEATURES

- Adjustability over a wide range of operating conditions
- Volume output per stroke is adjusted by setting stroke
- Flow rate per minute is adjusted by frequency of operation
- Repeatability within 2%
- Self priming: can start dry and capable of lifting 3' of H<sub>2</sub>O
- Can handle fluid viscosity as high as 10,000 centistokes
- Maintenance free and long life
- Choice of elastomer: Fluoropolymer or EPDM

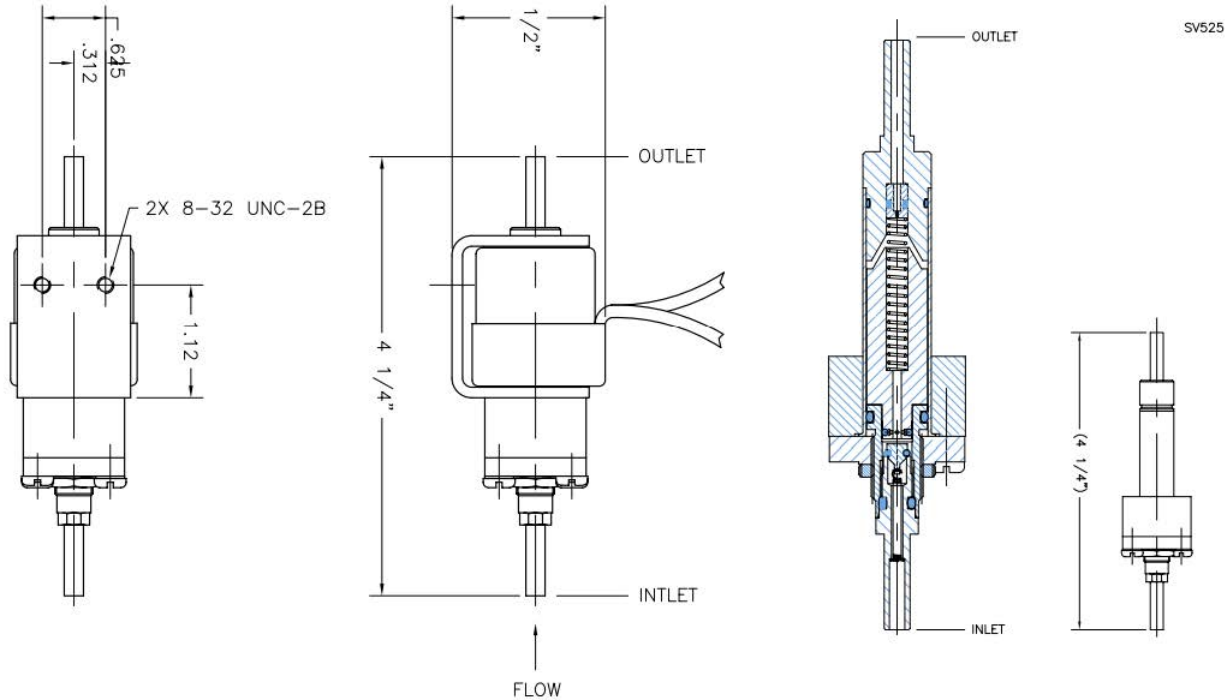


## VALCOR SV525 SPECIFICATIONS

### Construction

#### Pump Parts in Contact With Fluid

Wetted Materials 300/400 Series SS, EDPM or Fluoropolymer



### Electrical

Standard Voltages 24/ DC. Other DC available  
 Standard Coil Housing Open frame with flying leads

### Specifications

#### Precision Dispensing Pump

Tube Connection	3/16" ID flex tubing
Coil Construction	Class B, 18" Leads
Power	7 Watts (24DC)
Output per Stroke	10 to 40 µl
Max. Stroke per Minute	200 on H <sub>2</sub> O
Max. Dispense Rate	12 ml/min
Max. Priming Height	36" of H <sub>2</sub> O
Minimum On-Time	250 milliseconds
Max. On-Time	6 seconds
Repeatability	±2%
Special Requirements	Consult Factory

### Part Number Configurator

Series Number	Description
SV525A197-2	SV525 pump with 24/DC coil and Fluoropolymer Elastomer
SV525A197-7	SV525 pump with 24/DC coil and EPDM Elastomer

NOTE: Other voltages are also available. Consult factory.