



V100000-413-W

Pilot Operated Solenoid Valve Manifold

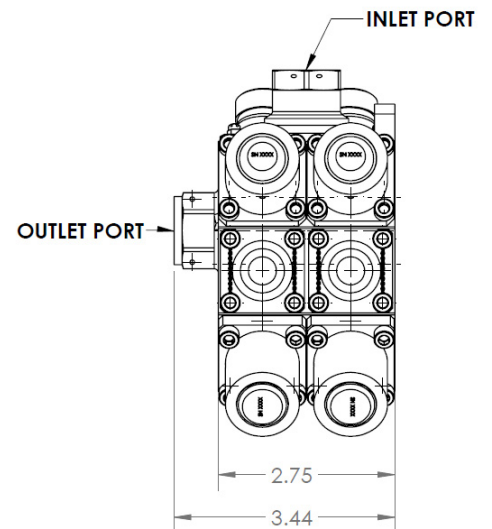
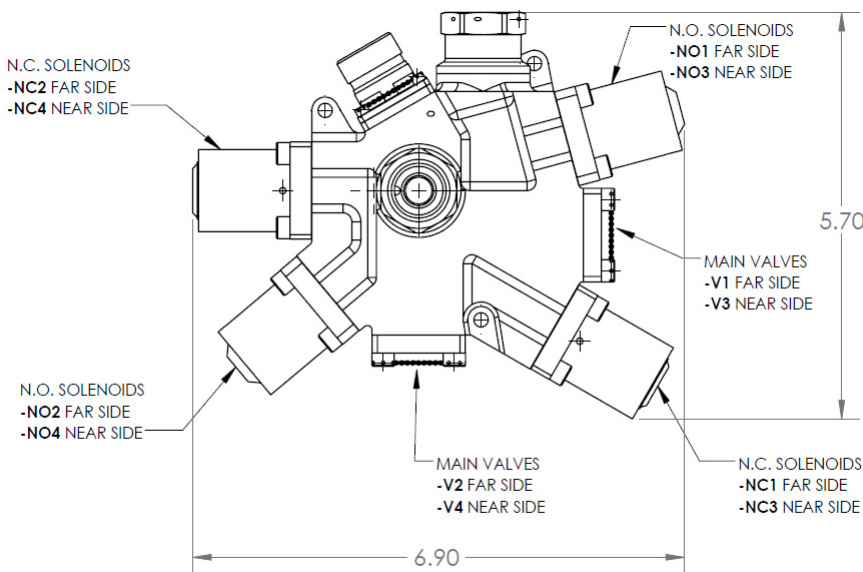
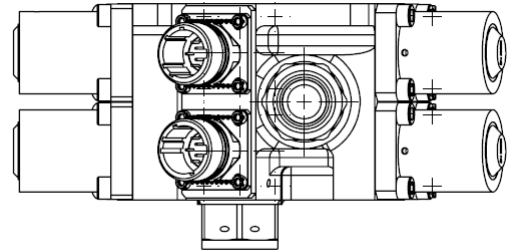
Valcor Aerospace

DESCRIPTION

This pilot operated solenoid valve manifold is designed for use on launch vehicles to control the flow of pressurization gas. The manifold assembly contains a redundant flow path and redundant solenoids to make sure the assembly will still be operational even if one path or solenoid fails. The main valves are pilot operated to allow for high pressures and lower coil power consumption. The valve assembly is capable of handling pressures up to 4500 psig, as well as temperatures down to -152°F. The manifold design allows for a compact size and no external connections outside of the valves.

FEATURES

- Flow Rates to a CdA of 0.20 in² (Cd=0.65)
- Compatible Fluids: GHe, GN₂, GH₂
- Operating Pressures up to 4500 psig (GHe)
- Rated for Continuous Duty
- Response Time (<100 ms)
- Pilot Operated Solenoid Valve
- Redundant Flow Paths and Solenoids
- Temperatures from -152°F to +102°F



For more information contact:
Valcor Engineering Corporation
2 Lawrence Road | Springfield, NJ 07081
(973) 467-8400 | aircraft@valcor.com
www.valcor.com