



V520-55-B400

Plug Resistant Orifice

Valcor Nuclear

DESCRIPTION

Valcor's V520-55-B400 Plug Resistant Orifice consists of a single precision machined part: the plug and the body. The strainer holes are sized to trap particles that might otherwise plug the basic orifice. The basic orifice is specified by the purchaser.

APPLICATION

This orifice is typically used:

- Steam main low point drain
- Pump warmup lines
- Boiler blowdown lines
- Steam trap bypasses
- Unit heater drains
- Turbine drains
- Turbine standby line warm-up

FEATURES

- Machined from forged, stainless steel
- Can be flanged or socket welded with unions or couplings
- Unlike regular orifices, these high pressure orifices cannot fail closed nor fail open
- The unit is readily removed for inspection
- When used in multi-stage orifice systems, they eliminate noise and pipe vibration

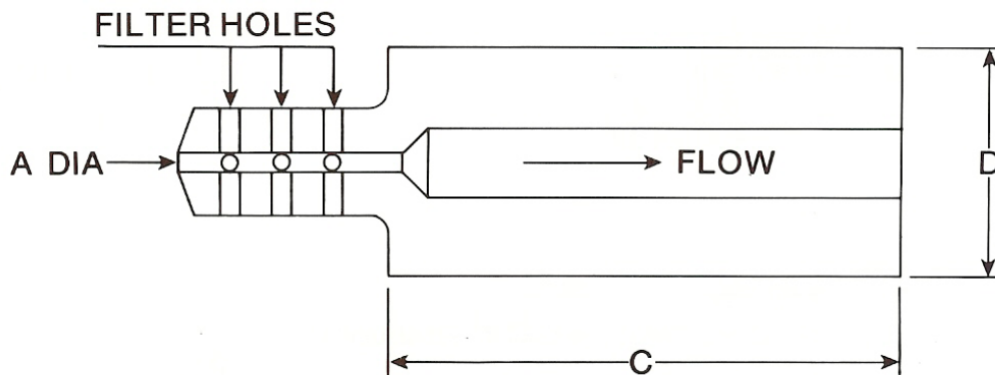
SPECIFICATIONS

- Material: ASME-SA479, Type 316 Stainless Steel
- Socket Weld Connections: 3/4", 1", 1 1/2", 2", 2 1/2", 3", & 4"
- Flow Restricting Orifice Diameter: Customer to specify - 1/16" Min.
- Filter Holes: Smaller than basic orifice, calculated by Valcor
- Rating: 3675 PSIG @ 1000°F, 2625 PSIG @ 1050°F



Cut-Away View

SIZE	C	D DIA
3/4	2.75	1.050
1	3.00	1.315
1 1/2	3.25	1.900
2	3.50	2.375
2 1/2	4.50	2.875
3	5.00	3.500
4	6	4.500



For more information contact:

Valcor Engineering Corporation
 2 Lawrence Road | Springfield, NJ 07081
 (973) 467-8400 | nuclear@valcor.com | www.valcor.com