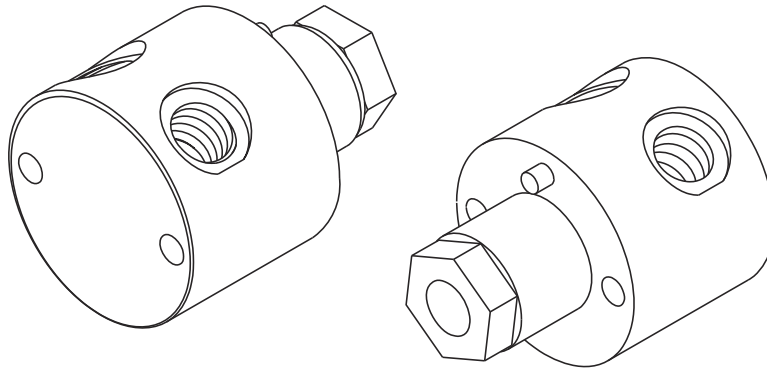


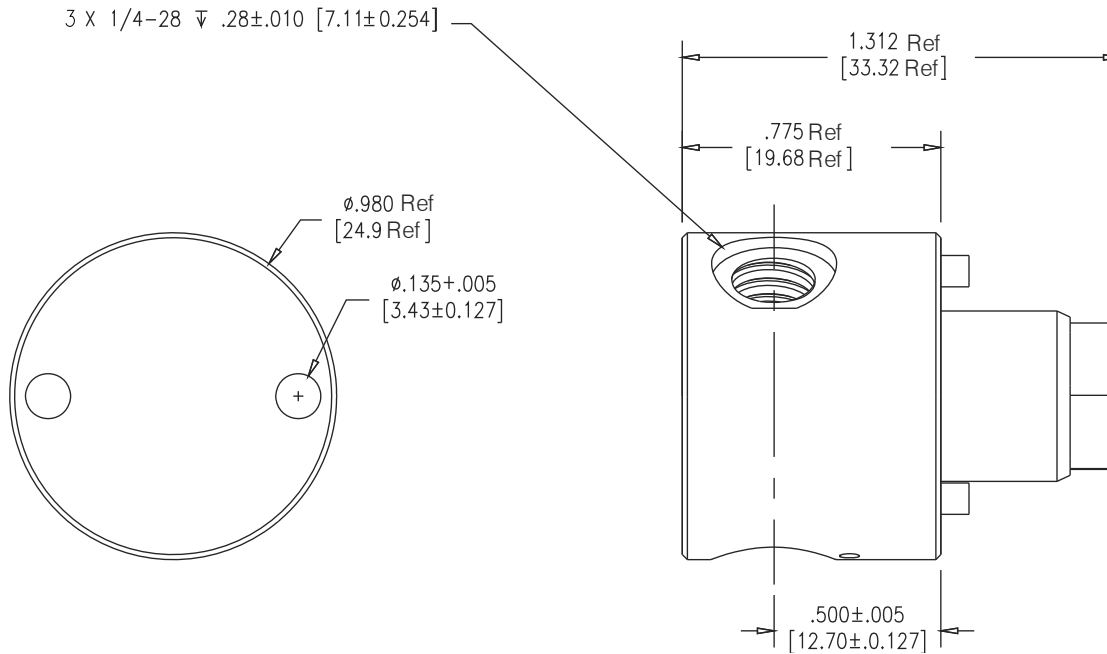


120° 3 Port Valve Interfaces

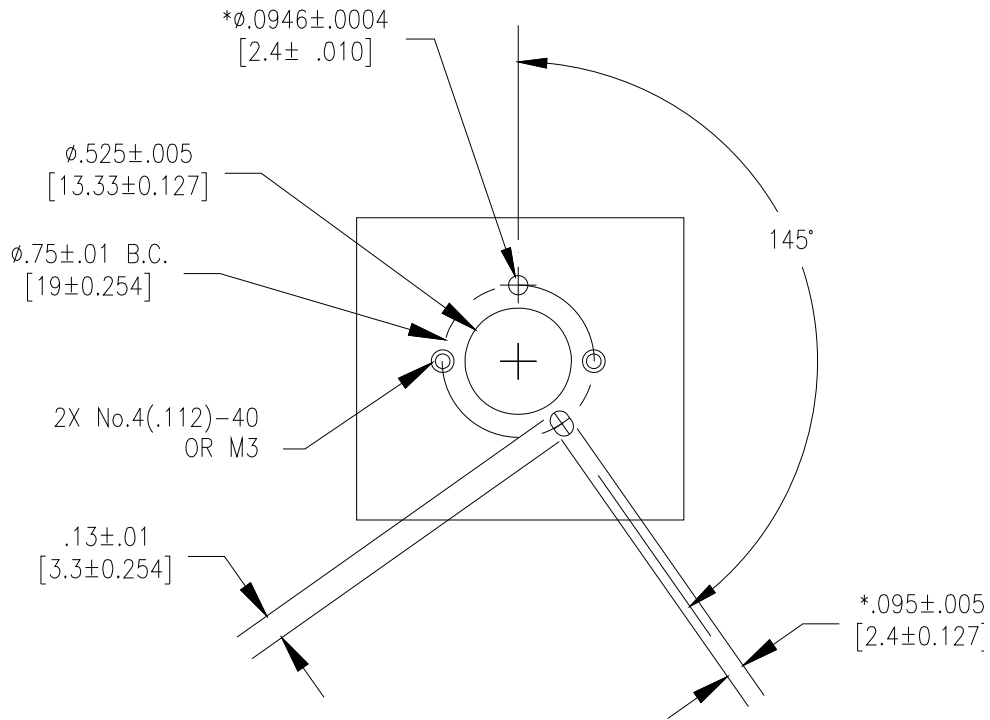
Valcor syringe pump valves can also be used along with valve positioners within instruments for fluid selection and redirection. Valcor rotary valves have been specifically developed to provide unsurpassed life and reliability in instrument applications using syringe pumps.



Valve Outline Detail

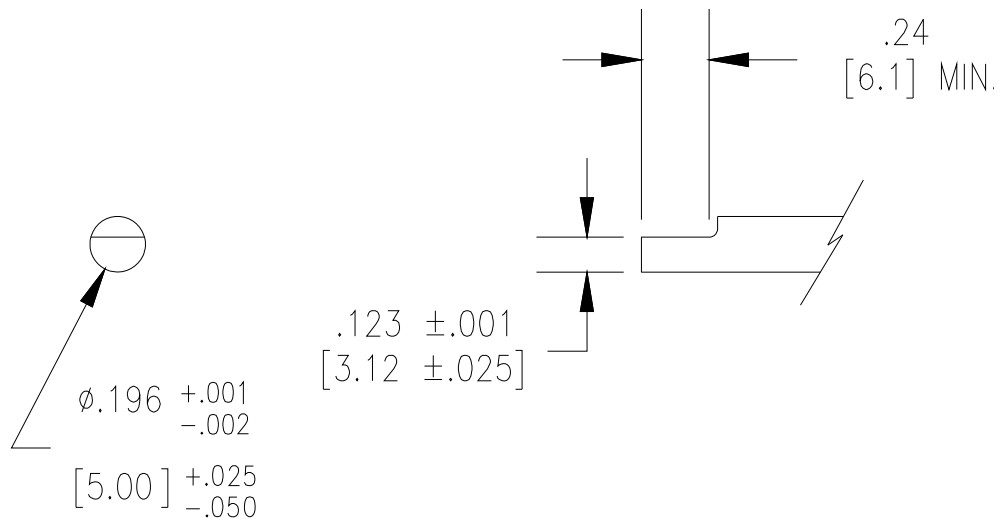


Suggested Panel Mounting Detail

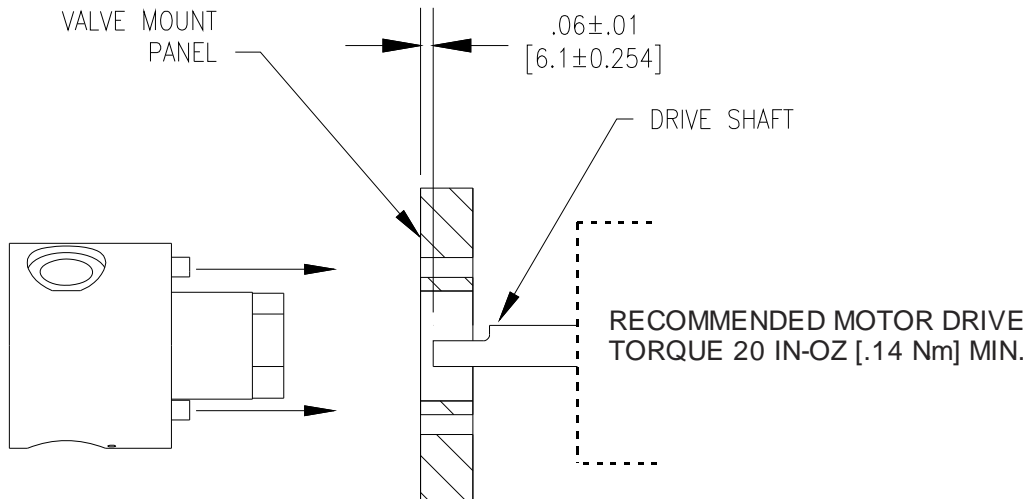


*NOTE: THESE DIMENSIONS ARE ONLY NEEDED WHEN THE VALVE IS INTERFACED WITH A SYRINGE. FOR VALVE ONLY MOUNTING, USE ø.098 [2.5mm] OR LARGER HOLES.

Drive Shaft Interface Detail



Valve to Drive Shaft Panel Requirement



Drive Shaft Flat Relative to Port Position (Viewed from Front of Valve)

