

# V70900

3-Way Normally Open or Normally Closed  
Shut-Off and Diverter/Selector Solenoid Valve

Valcor Aerospace - 3-Way Direct Acting Solenoid Valve



## DESCRIPTION

The series 70900 valves are 3-way, direct acting solenoid shut-off valves suitable for use as normally closed (applies pressure when solenoid is energized), normally open (applies pressure when solenoid is de-energized) or diverter (applies pressure to one of two ports). No minimum differential pressure is required for operation. Balanced poppet design. These valves employ a simple construction containing only two moving parts. The solenoid, which is a packless type, directly actuates the poppet. The poppet plunger itself, contains a plastic or elastomeric insert (whichever applies) at its lower end. This insert directly seals against the seat, which is part of the valve body. A spring is used to return and maintain the plunger in the de-energized position.

## APPLICATION

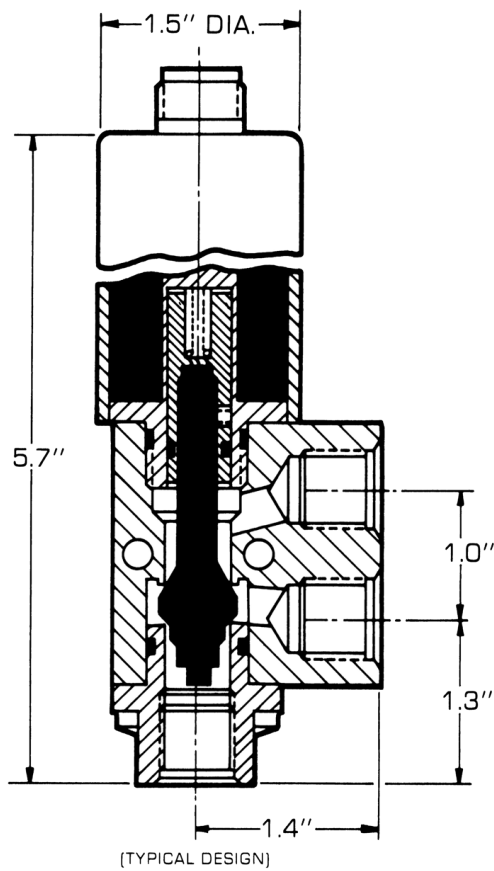
Series 70900 valves provide high pressure and high flow capacity with flexible 3-way, 2-position balanced poppet design. They are well suited for fuel, hydraulic and gas applications over a normal aerospace temperature service range.

## FEATURES

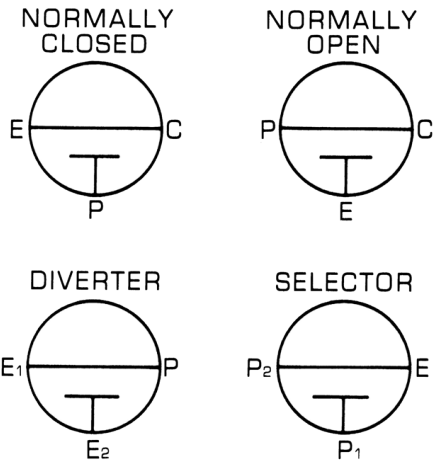
- 3-Way Shut-Off
- 1/4", 3/8" and 1/2" O.D. Line
- Configuration: Normally Closed, Normally Open, Diverter or Selector
- Temperature: -65°F to +165°F (Ambient), -65°F to +165°F (Fluid)
- Pressure range: 0-3000 PSIG Maximum
- Proof pressure: 4500 PSIG
- Burst pressure: 5000 PSIG Minimum



**SOLENOID VALVE SERIES 70900**



**3-WAY MODES**



E=EXHAUST  
 C=CYLINDER  
 P=LINE PRESSURE  
 ALL VIEWS  
 SHOWN DE-ENERGIZED

**Specifications**

**Operating Pressure and Flow Ratings**

Equiv. Sharp Edged Orifice CD = .65	Operating Pressure (PSIG)	Ambient Temp.	Min. Volts DC	Cv
.25	0-3000	165°F	18	1.18

**Electrical Data**

Voltage	18 to 30 VDC
Duty	Intermittent
Current	2 amps at 28 VDC and at 70°F
Electrical Connector	MS3102R-10SL-4P is standard

**Leakage**

External	Zero over pressure range of 0 to 3000 PSIG
Internal	Liquid Service 0 drops in 3 minutes. Gas Service 10 scc/hr. max.