

V27200 - T

3-Way Normally Closed or Normally Open
Shut-Off Solenoid Valve

Valcor Aerospace - 3-Way Direct Acting Solenoid Valve

DESCRIPTION

Series 27200-T valves are 3-way direct acting coaxial, poppet solenoid valves. They are extremely compact and lightweight. Simple coaxial design allows flow to pass straight through and provides high reliability. Series 27200-T 3-way valves are constructed simply, consisting of a solenoid and body. A feature of these valves has soft inserts located on both ends to seal tight against metal seats. The coil consists of high temperature magnet wire, usually wound directly on a welded solenoid plunger housing. Coils are vibration, shock and moisture resistant.

APPLICATION

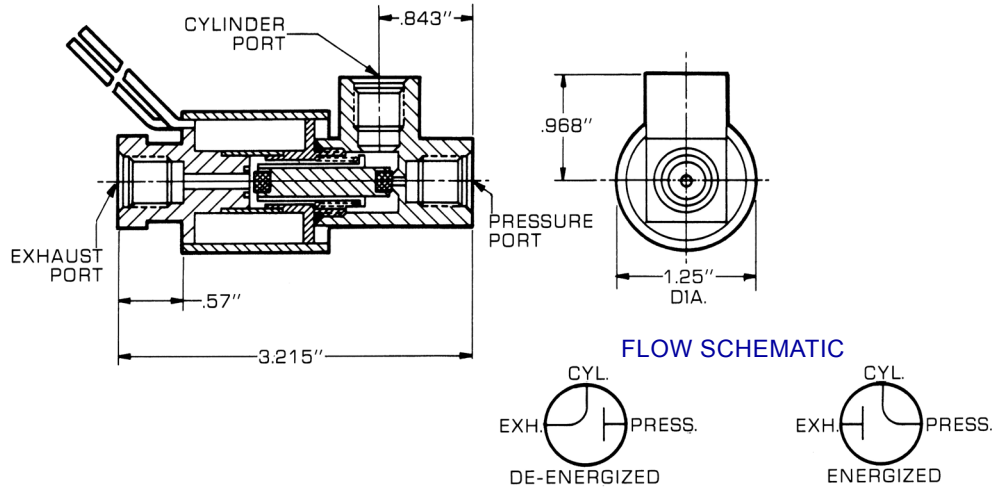
Series 27200-T valves are primarily used on missiles, aircraft and ground support installations. They are applicable for use with all common non-corrosive fluids and gases. However, valves can be modified for corrosive service.

FEATURES

- 3-Way Shut-off
- Poppet Design
- 1/4" O.D. Line
- Configuration: Normally Closed, Normally Open
- Temperature: -65°F to +450°F
- Pressure range: 0-1500 PSIG Maximum
- Proof pressure: 2500 PSIG
- Burst pressure: 7500 PSIG
- Weight: 0.55 lbs (approx.)



SOLENOID VALVE SERIES 27200 THREE-WAY



Specifications

Operating Pressure and Flow Ratings

Equiv. Sharp Edged Orifice CD = .65	Operating Pressure (PSIG)		Ambient Temp.	Min. Volts DC	Cv
	Normally Closed	Normally Open			
.04	1-1000	0-1700	165°F	18	.03
.06	1-630	0-1250	165°F	18	.07
.09	1-210	0-630	165°F	18	.15
.12	1-100	0-220	165°F	18	.28
.15	1-25	0-50	165°F	18	.42

These ratings are based on using JP4 Aviation Fuel. Other orifice size, both larger and smaller, are available. However, ratings would change accordingly. For higher temperatures, the pressure rating must be reduced. The following table approximates the derating required.

Temperature	Derating Factor
250°F	.71
350°F	.62
450°F	.54

Electrical Data

Voltage	18 to 30 VDC
Duty	Continuous
Current	1.50 amps max. at 30 VDC and at 70°F
Electrical Connector	Pigtail leads (36" long) made of #22 or #24 wire to MIL-W-1687A Type EE are standard. MS receptacles mounted on the solenoid shell can be provided.
Other Available Coils	Coils having 1 amp maximum current drain are available with moderate reduction in above ratings. Low wattage windings are available with proportionate rating reductions. High wattage, intermittent duty windings are also available for increased flow or pressure ratings.

Leakage

External	Zero over range of 0 to 1500 PSIG
Internal	Liquid/Gas Service, bubble tight