

V57300

3-Way Normally Open or Normally Closed
High Pressure Solenoid Valve

Valcor Aerospace - 3-Way Direct Acting Solenoid Valve/Plug-In Design



DESCRIPTION

The series 57300 valves are direct acting, solenoid valves. The plug-in configuration provides for manifold mounting and a minimum mass and volume impact to most systems. These valves are poppet design. Series 57300 valves utilize precision ball sealing on each of two matched seats for maximum cycle life and reliability over their service life. Valves in this series can also perform as a pilot valve in air or hydraulic service in conjunction with other Valcor series valves. "O" rings are used for static sealing only and are selected specifically for your individual application.

APPLICATION

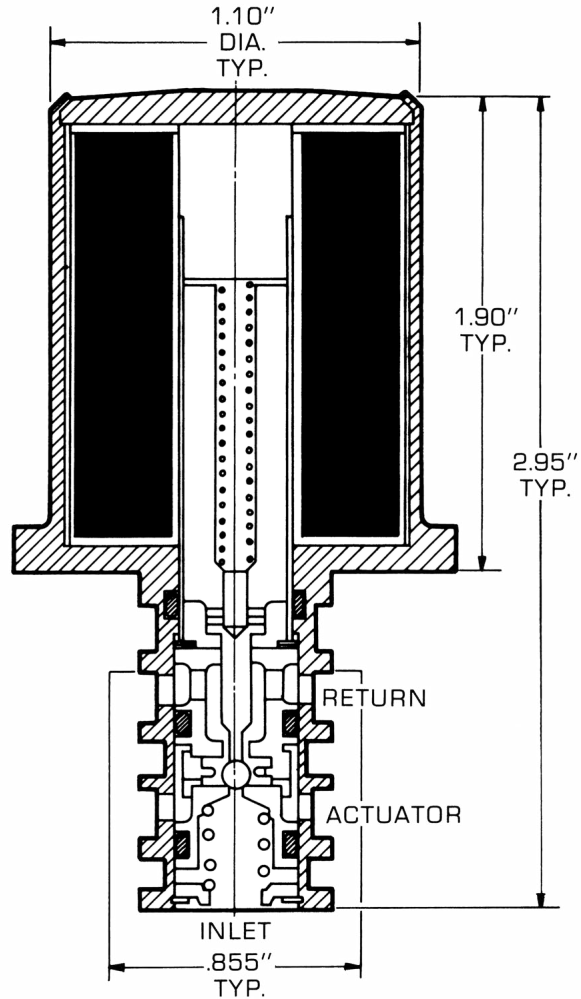
Series 57300 valves are designed handle all common non-corrosive liquids and gases in high pressure applications which require a 3-way mode.

FEATURES

- 3-Way
- Plug-in Design
- Configurations: Normally Closed, Normally Open
- Temperature: -65°F to +350°F (Ambient), -65°F to +350°F (Fluid)
- Pressure range: 0-3500 PSIG Maximum
- Proof pressure: 5250 PSIG
- Burst pressure: 7000 PSIG Minimum



SOLENOID VALVE SERIES 57300



Specifications

Operating Pressure and Flow Ratings

Equiv. Sharp Edged Orifice CD = .65	Operating Pressure (PSIG)	Ambient Temp.	Min. Volts DC	Cv
.062	0-3500	165°F	18	.074

Electrical Data

Voltage	18 to 30 VDC (higher ratings available)
Duty	Continuous
Current	Depends on coil chosen
Electrical Connector	To suit customer requirements

Leakage

External	Zero bubbles over range of 0 to 1500 PSIG
Internal	Liquid Service, 1 cc/hr. typical. Gas Service, 18 scc/minute max.