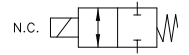


SV74SM

2-way Normally Closed Surface Mount
Diaphragm Isolation Construction



Valcor PTFE Instrumentation Series



DESCRIPTION

The SV74SM series valves utilize a PTFE diaphragm to seal on a PTFE seat. As a result these valves are capable of handling a wide variety of corrosive or high purity media by isolating all metallic components from the media. Additionally, this series is designed to be surface mounted to the user's manifold block yielding an integral flow control design that eliminates the need for piping or tubing. This compact series is direct acting which yields positive shifting and reliable operation. Optional materials including PEEK & Kel-F are available as body material. Consult factory for availability.

APPLICATIONS

The SV74SM series diaphragm isolation valves are suitable for a broad range of applications, including:

- Ink jet printers
- Chromatography
- Clinical or chemical analyzer
- Chemical mixing/dispensing
- Laboratory equipment

FEATURES

- Diaphragm isolation construction for high purity processes
- Handles corrosive and aggressive fluids
- Compact low dead volume designs
- Low power consumption solenoids
- Direct acting
- Long life expectancy

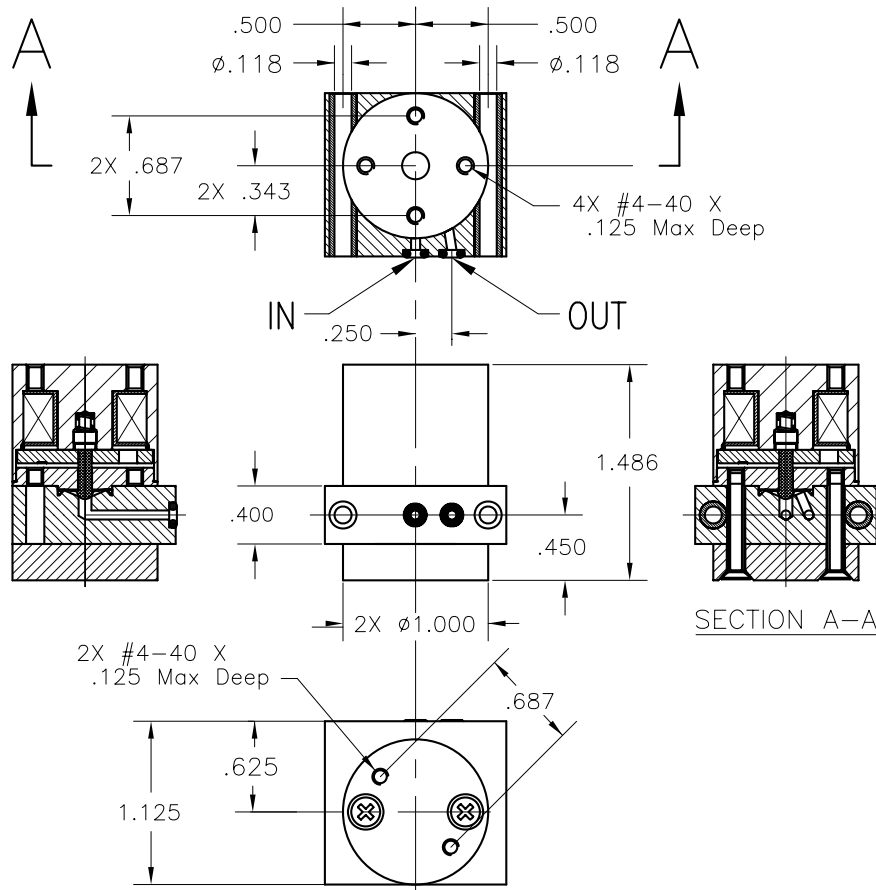


VALCOR SV74SM SPECIFICATIONS

Construction

Valve Parts in Contact with Fluid	
Body	PTFE
Diaphragm	PTFE
Surface Seal	Viton
Other Parts	
Armature	430F SS
Spring	303 SS
Coil Housing	Nickel Plated Steel
Base Plate	Nickel Plated Steel

Body is also available in PEEK and Kel-F. Consult factory for availability of specific constructions.



Specifications

Port Position	Orifice Size (ins.)	Max. Operating Pressure		Model Number	Voltage	Wattage
		Gas & Liquid (PSI)	Vacuum (in. Hg)			
SV74SM 2-way Normally Closed, Surface Mount						
Left	0.062"	30	28	SV74SMLP25T-1	12 VDC	1.5
Right	0.062"	30	28	SV74SMRP25T-1	12 VDC	1.5
Left	0.062"	30	28	SV74SMLP25T-2	24 VDC	1.5
Right	0.062"	30	28	SV74SMRP25T-2	24 VDC	1.5

Alternate voltage of 6 VDC & 115V/60 HZ available upon request. Please consult factory for availability & part number.

High pressure version available up to 100 PSI (-HP). Please consult factory for availability of specific constructions.

Port Position: Looking directly at the ports with the solenoid on top, "L" indicates outlet port is left of inlet port, and "R" indicates outlet port is right of inlet port. For temperature and duty cycle information, please consult "temp and duty cycle" link under Technical Information on our website.