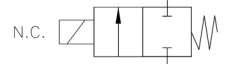
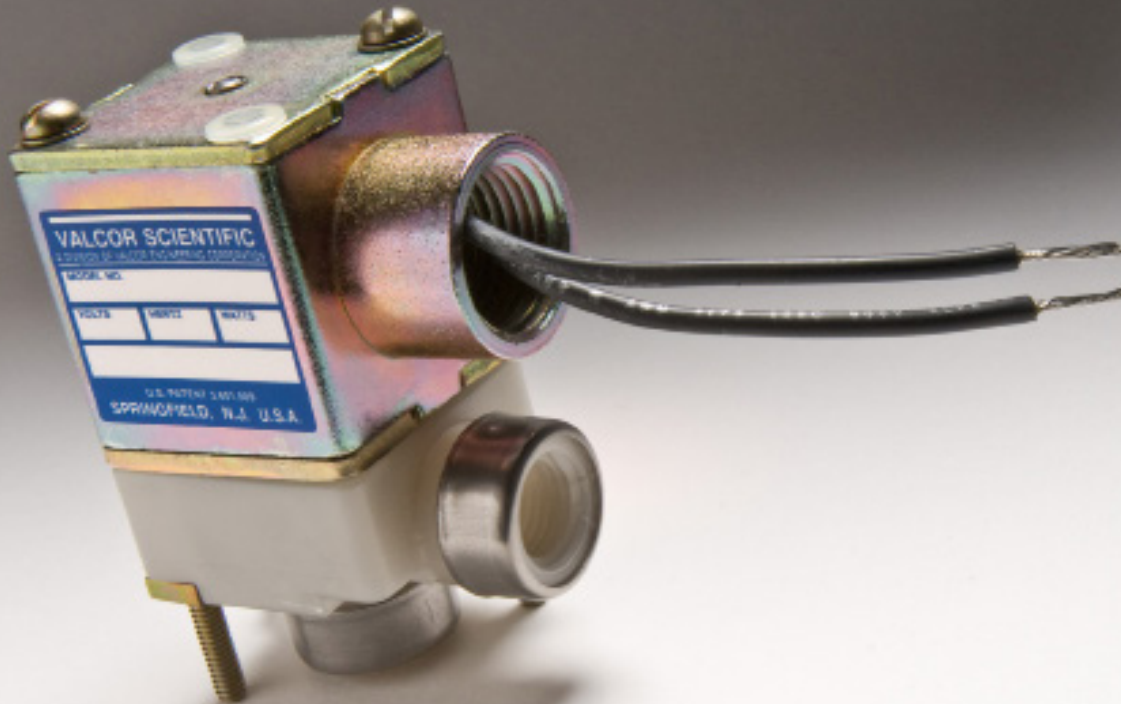


SV51

2-Way Normally Closed
Diaphragm Isolation Construction



Valcor General Purpose Series



DESCRIPTION

The SV51 series is a direct acting, 2-way, normally closed, diaphragm isolation solenoid valve. Valcor designed this series with a diaphragm to isolate the valve's metallic parts from the media being handled. This valve is available with a polypropylene or PTFE body, combined with either a FKM, EPDM, or PTFE diaphragm. This series handles a wide range of fluids.

APPLICATION

The SV51 series is suitable for a broad range of industrial applications.

Typical applications include:

- Sterilizer
- Chemical Dispensing
- Water Treatment
- Photo Processing/Ink Handling
- Bottle Filling
- Vacuum Applications

FEATURES

- Inert Construction for Use With Wide Range of Fluids
- Bubble-Tight Shut-Off
- Higher Flow in Compact Design
- Direct Acting Construction
- Mountable in Any Position



VALCOR SV51 SPECIFICATIONS

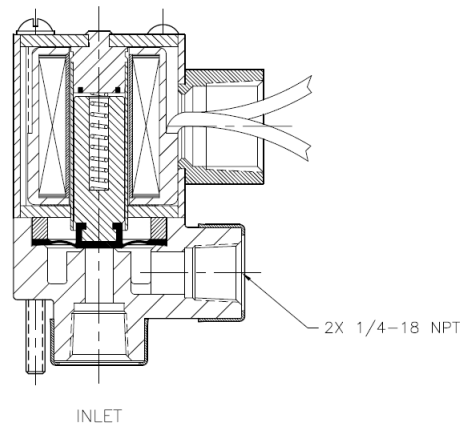
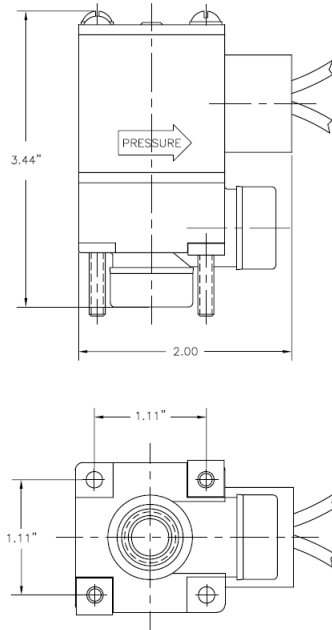
Construction

Valve Parts in Contact With Fluid

Body	PTFE, Polypropylene
Diaphragm	PTFE, FKM, EPDM

Other Parts

Body Seal	Buna-N or Neoprene
Plunger Tube	303 SS
Plunger	430F SS
Shading Coil	Silver
Plunger Stop	430F SS
Spring	303 SS



Electrical

Standard Voltages	115/60 AC & 24/VDC. Consult factory for other voltages (available).
Wattage	10 watts for 115/60 Hz and 24 VDC constructions
Standard Coil Housing	Coils have class B insulation and 18" leads. General purpose with 1/2" NPT conduit. Explosion proof and grommeted pigtailed housing is also available. Consult factory. Replace 1 st "C" in part number with "E" for explosion proof. Replace 1 st "C" in part number with "G" for grommeted pigtailed. Example: SV51E19G24-1 for explosion proof solenoid housing

VALCOR SV51 SPECIFICATIONS

Specifications for Polypropylene Bodies and FKM Diaphragm

Port Size (ins.) (NPT)	Orifice Size (ins.)	C _v	Minimum Operating Pressure (PSIG)	Max. Operating Pressure (PSIG)		Vacuum at Inlet** in. Hg	Voltage	Model Number*
				Gas	Liquid			
1/4	1/16	0.10	5	130	125		115/60Hz	SV51C19G24-1
1/4	1/16	0.10	5	130	125		24 VDC	SV51C56G24-1
1/4	1/16	0.10				26	115/60Hz	SV51C19G24-1V
1/4	1/16	0.10				26	24 VDC	SV51C56G24-1V
1/4	1/8	0.40	2	60	55		115/60Hz	SV51C19G24-3
1/4	1/8	0.40	2	55	50		24 VDC	SV51C56G24-3
1/4	1/8	0.40				26	115/60Hz	SV51C19G24-3V
1/4	1/8	0.40				26	24 VDC	SV51C56G24-3V
1/4	3/16	0.70	1.5	30	25		115/60Hz	SV51C19G24-5
1/4	3/16	0.70	1.5	30	25		24 VDC	SV51C56G24-5
1/4	3/16	0.70				26	115/60Hz	SV51C19G24-5V
1/4	3/16	0.70				26	24 VDC	SV51C56G24-5V
1/4	1/4	1.00	0	12	10		115/60Hz	SV51C19G24-6
1/4	1/4	1.00	0	10	9		24 VDC	SV51C56G24-6
1/4	1/4	1.00				24	115/60Hz	SV51C19G24-6V
1/4	1/4	1.00				24	24 VDC	SV51C56G24-6V
1/4	5/16	1.40	0	8	8		115/60Hz	SV51C19G24-7
1/4	5/16	1.40	0	7	7		24 VDC	SV51C56G24-7
1/4	5/16	1.40				24	115/60Hz	SV51C19G24-7V
1/4	5/16	1.40				20	24 VDC	SV51C56G24-7V
1/4	3/8	1.90	0	6	5		115/60Hz	SV51C19G24-8
1/4	3/8	1.90	0	5	4		24 VDC	SV51C56G24-8
1/4	3/8	1.90				24	115/60Hz	SV51C19G24-8V
1/4	3/8	1.90				20	24 VDC	SV51C56G24-8V
3/8	1/4	1.00	0	12	10		115/60Hz	SV51C19G26-6
3/8	1/4	1.00	0	10	9		24 VDC	SV51C56G26-6
3/8	1/4	1.00				24	115/60Hz	SV51C19G26-6V
3/8	1/4	1.00				20	24 VDC	SV51C56G26-6V
3/8	5/16	1.40	0	8	8		115/60Hz	SV51C19G26-7
3/8	5/16	1.40	0	7	7		24 VDC	SV51C56G26-7
3/8	5/16	1.40				24	115/60Hz	SV51C19G26-7V
3/8	5/16	1.40				20	24 VDC	SV51C56G26-7V
3/8	3/8	1.90	0	6	5		115/60Hz	SV51C19G26-8
3/8	3/8	1.90	0	5	4		24 VDC	SV51C56G26-8
3/8	3/8	1.90				24	115/60Hz	SV51C19G26-8V
3/8	3/8	1.90				20	24 VDC	SV51C56G26-8V

*Part numbers shown are for polypropylene bodies and FKM diaphragms. For other materials of construction, please use part number configurator.

**Vacuum at inlet, outlet at ATM.

VALCOR SV51 SPECIFICATIONS

Specifications for PTFE Bodies and PTFE Diaphragm

Port Size (ins.) (NPT)	Orifice Size (ins.)	C _v	Minimum Operating Pressure (PSIG)	Max. Operating Pressure (PSIG)		Vacuum at Inlet** in. Hg	Voltage	Model Number*
				Gas	Liquid			
1/4	1/16	0.10	5	130	125		115/60Hz	SV51C19T34-1
1/4	1/16	0.10	5	130	125		24 VDC	SV51C56T34-1
1/4	1/16	0.10				26	115/60Hz	SV51C19T34-1V
1/4	1/16	0.10				26	24 VDC	SV51C56T34-1V
1/4	1/8	0.40	2	60	55		115/60Hz	SV51C19T34-3
1/4	1/8	0.40	2	55	45		24 VDC	SV51C56T34-3
1/4	1/8	0.40				26	115/60Hz	SV51C19T34-3V
1/4	1/8	0.40				26	24 VDC	SV51C56T34-3V
1/4	3/16	0.70	1.5	25	20		115/60Hz	SV51C19T34-5
1/4	3/16	0.70	1.5	20	10		24 VDC	SV51C56T34-5
1/4	3/16	0.70				26	115/60Hz	SV51C19T34-5V
1/4	3/16	0.70				26	24 VDC	SV51C56T34-5V
1/4	1/4	1.00	1.5	12	8		115/60Hz	SV51C19T34-6
1/4	1/4	1.00	1.5	5	4		24 VDC	SV51C56T34-6
1/4	1/4	1.00				26	115/60Hz	SV51C19T34-6V
1/4	1/4	1.00				26	24 VDC	SV51C56T34-6V
1/4	5/16	1.40	1.5	10	8		115/60Hz	SV51C19T34-7
1/4	5/16	1.40	1.5	5	4		24 VDC	SV51C56T34-7
1/4	5/16	1.40				26	115/60Hz	SV51C19T34-7V
1/4	5/16	1.40				20	24 VDC	SV51C56T34-7V
1/4	3/8	1.90	1.5	6	5		115/60Hz	SV51C19T34-8
1/4	3/8	1.90	1.5	4	3		24 VDC	SV51C56T34-8
1/4	3/8	1.90				26	115/60Hz	SV51C19T34-8V
1/4	3/8	1.90				20	24 VDC	SV51C56T34-8V

*Part numbers shown are for PTFE bodies and PTFE diaphragms. For other materials of construction, please use part number configurator.

**Vacuum at inlet, outlet at ATM.

Part Number Configurator

Example Part Number: SV51C19G24-3

Numbers 1 thru 4		5	6-7		8	9	10	11	12				
Series	Operating Mode	Housing	Applicable Voltage		Body Material		Diaphragm Material	Pipe Connection (NPT)	Orifice Size (in.)	Option			
SV51	Normally Closed	C	Conduit	19	115/60 Hz	G	Polypropylene	2	FKM	4	1/4"	V	Vacuum
		G	Grommet	56	24 VDC	T	PTFE	3	PTFE	6*	3/8"		
		E	Explosion Proof					8	EPDM				
		P	Grommets Pigtailed										
<small>*Valve with 3/8" NPT pipe connection is only available with orifice size 1/4" or larger in polypropylene body.</small>													