

# V57200

2-Way Normally Open or Normally Closed  
Shutoff Solenoid Valve

Valcor Aerospace - 2-Way Piloted Solenoid Valve/Plug-in Design



## DESCRIPTION

The series 57200 are pilot-operated, solenoid shutoff valves with porting set up for manifold mounting to customer requirements. These poppet design valves feature precision sealing on each of two matched seats. This design assures maximum cycle life and reliability over the service life of the valve. The plug-in design configuration results in a minimum of mass and volume impact to most systems. All series 57200 valves meet applicable requirements of MIL-STD-810.

## APPLICATION

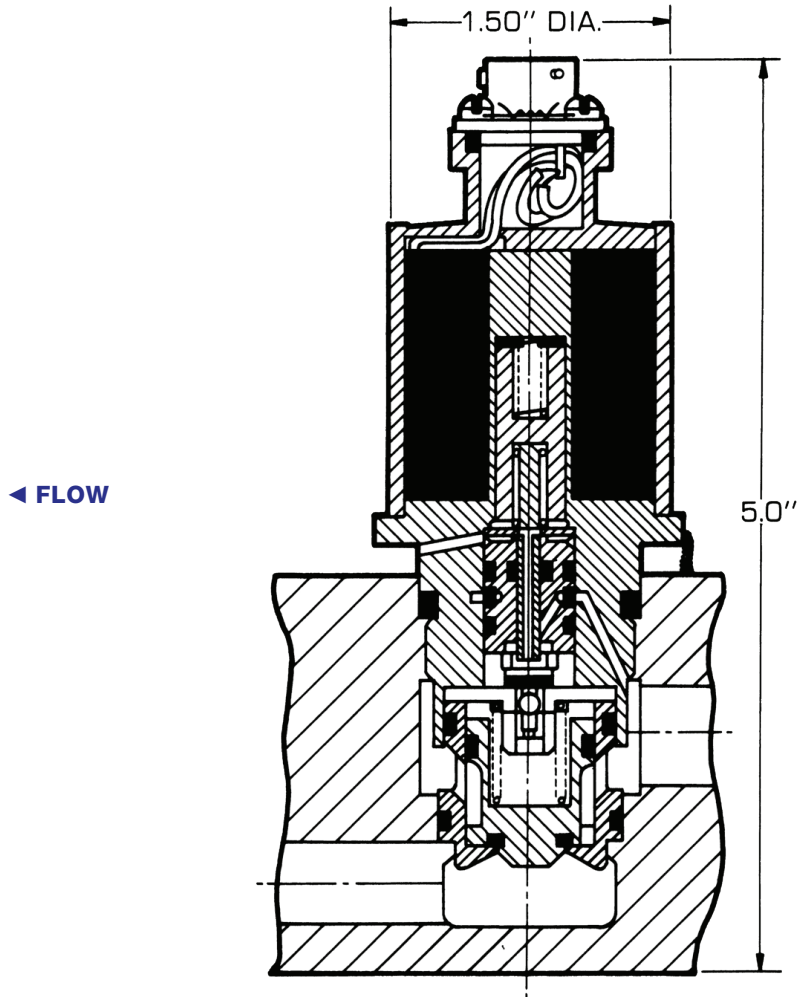
Series 57200 valves are designed primarily for use with non-corrosive air and gases where a pilot-operated solenoid shutoff valve is required. The valves are designed to plug into a cavity provided by the customer as part of a manifold assembly.

## FEATURES

- 2-way Shutoff
- Plug-in Design
- Direct Acting Configurations available
- Configurations: Normally Closed, Normally Open
- Temperature: -40°F to +160°F (Ambient), -40°F to +240°F (Fluid)
- Pressure range: 50-3500 PSIG Maximum
- Proof pressure: 6000 PSIG
- Burst pressure: 7500 Minimum
- Weight: 1.5 lbs (approx.) with .5 Cv, 1.9 lbs. (approx.) with 4.8 Cv



**SOLENOID VALVE SERIES 57200**



**Specifications**

**Operating Pressure and Flow Ratings**

Equiv. Sharp Edged Orifice CD = .65	Operating Pressure (PSIG)	Ambient Temp.	Min. Volts DC	Cv
.15	50-3500	165°F	18	.5
.50	50-3500	165°F	18	4.8

**Electrical Data**

Voltage	18 to 30 VDC
Duty	Continuous
Current	0.6 amps at 30 VDC and at 70°F
Electrical Connector	Pigtail leads or MS3102R-10SL-4P

**Leakage**

External	Zero bubbles over pressure range of 0 to 3000 PSIG
Internal	5 scc/minute max. at 3000 PSIG