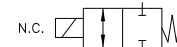


# SV74M

Inline Manifold Construction  
2-way Normally Closed  
Diaphragm Isolation Construction



Valcor PTFE Instrumentation Series



## DESCRIPTION

The SV74M series inline valve manifold configuration incorporates Valcor's compact 2-way normally closed diaphragm isolation solenoid valves into a multi position inline manifold body. The bidirectional design of these valves allows the manifold to have a common pressure port flowing to multiple lines or pressures from multiple ports flowing to a common. Standard construction is equipped with PTFE body and isolation diaphragm.

## APPLICATIONS

The SV74M series inline valve manifold are suitable for a broad range of applications, including:

- Ink jet printers
- Chromatography
- Clinical or chemical analyzers
- Chemical mixing/dispensing
- Laboratory equipment

## FEATURES

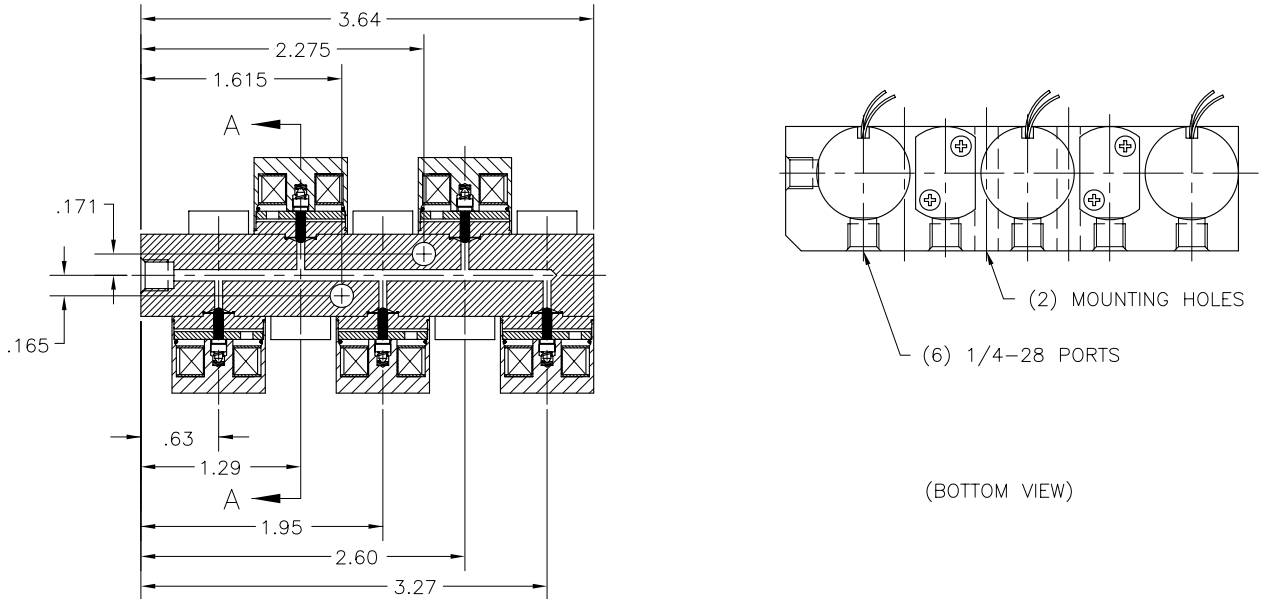
- Diaphragm isolation construction for high purity processes
- Handles corrosive and aggressive fluids
- Compact low dead volume design
- Bidirectional flow design
- Low power consumption solenoid
- Direct acting construction



# VALCOR SV74M SPECIFICATIONS

## Construction

Valve Parts in Contact with Fluid	
Body	PTFE
Diaphragm	PTFE
Other Parts	
Armature	430F SS
Spring	303 SS
Coil Housing	Nickel Plated Steel
Base Plate	Nickel Plated Steel



## Specifications

Port Size	Orifice Size (ins.)	Max. Operating Pressure		Model Number	Voltage	Wattage
		Gas & Liquid (PSI)	Vacuum (in Hg)			
Inline Manifold of (3) 2-way Normally Closed Valves						
1/4 - 28	0.040"	30	28	SV74MP61T3-1	12 VDC	1.0
1/4 - 28	0.040"	30	28	SV74MP61T3-2	24 VDC	1.0
Inline Manifold of (4) 2-way Normally Closed Valves						
1/4 - 28	0.040"	30	28	SV74MP61T4-1	12 VDC	1.0
1/4 - 28	0.040"	30	28	SV74MP61T4-2	24 VDC	1.0
1/4 - 28	0.062"	30	28	SV74MP25T4-1	12 VDC	1.5
1/4 - 28	0.062"	30	28	SV74MP25T4-2	24 VDC	1.5
1/4 - 28	0.095"	30	28	SV74MP60T4-1	12 VDC	4.2
1/4 - 28	0.095"	30	28	SV74MP60T4-2	24 VDC	4.2
Inline Manifold of (5) 2-way Normally Closed Valves						
1/4 - 28	0.040"	30	28	SV74MP61T5-1	12 VDC	1.0
1/4 - 28	0.040"	30	28	SV74MP61T5-2	24 VDC	1.0
Inline Manifold of (6) 2-way Normally Closed Valves						
1/4 - 28	0.062"	30	28	SV74MP25T6-1	12 VDC	1.5
1/4 - 28	0.062"	30	28	SV74MP25T6-2	24 VDC	1.5

Alternate voltage of 6 VDC & 115V/60 HZ available upon request. Please consult factory for availability & part number.  
 High pressure version available up to 100 PSI (-HP). Please consult factory for availability of specific constructions.  
 For temperature and duty cycle information, please consult "temp and duty cycle" link under Technical Information on our website.