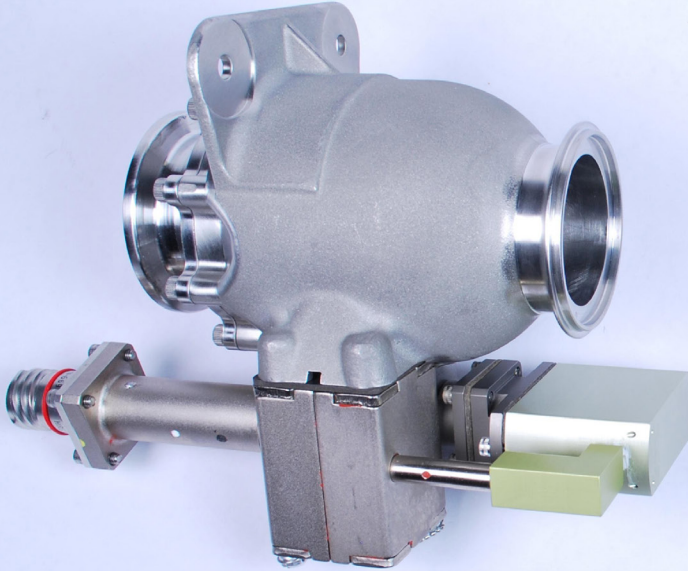


V44700 - Hot Gas Piloted Valve

2-Way Normally Open or Normally Closed
Shut-Off Solenoid Valve

Valcor Aerospace - 2-Way Piloted Solenoid Valve



DESCRIPTION

Valcor offers a subset of their V44700 Series for hot gas applications. These valves are pilot operated, solenoid shut-off valves. They come in normally open or normally closed configurations. The valve body is designed for high flow with low pressure drop. Position indication options are available.

APPLICATION

This subset of the V44700 valves are ideal for hot gas applications. They can handle fluid temperatures up to 900°F.

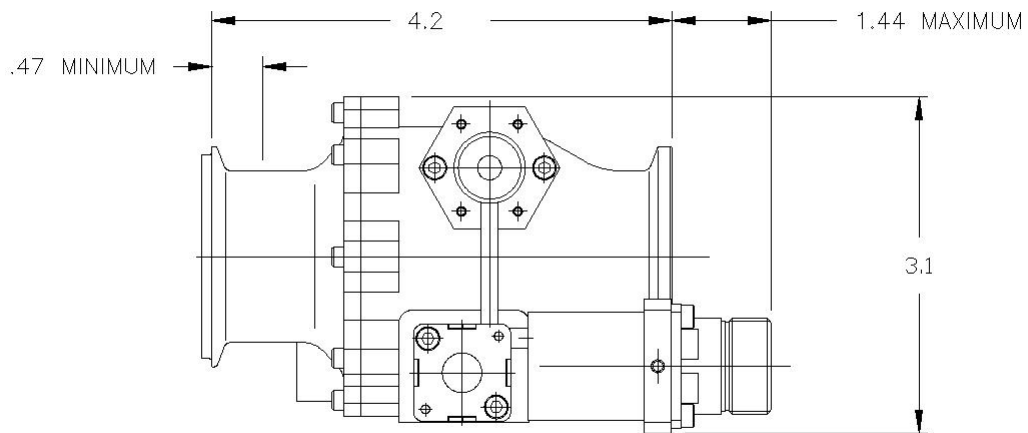
FEATURES

- 2-Way Normally Closed or Normally Open
- Custom porting available up to 2" lines
- Ambient Temperature Range: -65°F to +165°F
- Fluid Temperature Range: -65°F to +900°F
- Pressure range: 0-300 PSIG
- Weight ranges from 3 lbm to 5 lbm, depending on pressure and flow rate
- Position Indication Options Available



SOLENOID VALVE SERIES 44700 HOT GAS PILOTED VALVE

Envelope Estimates



Electrical Data

Voltage	18 to 30 VDC
Duty	Continuous
Current	1.5 amps at 28 VDC and at 70°F
Electrical Connector	To suit customer requirements