

V520-50

Excess Flow Check Valve

Valcor Nuclear - Excess Flow Check Valve



DESCRIPTION

The Series V520-50 excess flow check valves are engineered for liquid applications in the Nuclear Power industry where personnel safety is a prime consideration. An integral solenoid valve provides remote reset capability after restoration of downstream system. Absolute zero leakage to the local environment is provided by a completely welded construction throughout the pressure envelope. Extreme reliability is inherent due to rugged design, simplicity of operation and a minimum number of moving parts. Internal parts are contoured to resist buildup of contamination and sludge.

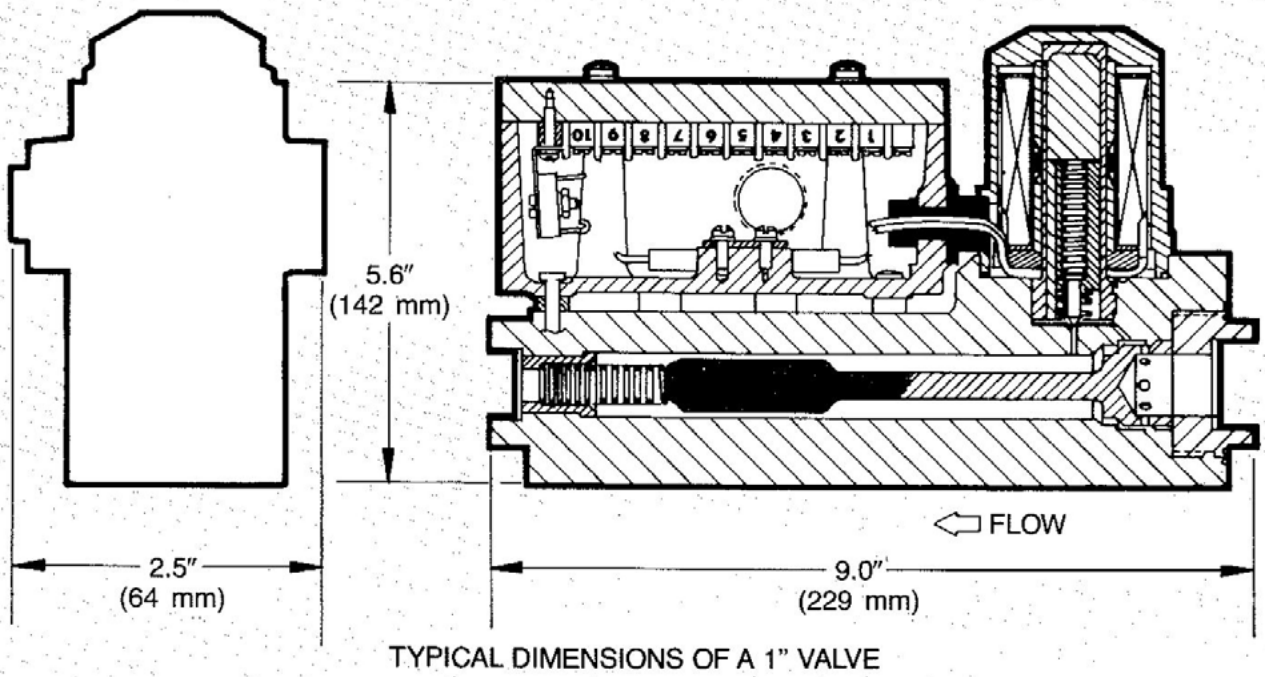
APPLICATION

They are designed to sense and shut-off surging fluid flow caused by a downstream line rupture. Position switches provide remote indication when the valve has closed. Compact design provides excellent resistance to seismic vibration and shock.

FEATURES

- Valve ratings: ANSI class 150 to 2500.
- Resistance to contamination and sludge buildup
- ASME Section III, Class 1-3
- Stress and seismic analysis available.
- Radiation resistance: 2×10^8 rads
- Solenoid operated reset capability
- Body material: Standard Stainless Steel
- Stellite or elastomer seats
- Position indication switches for remote status indication.
- Line connection: Standard -Socket weld; Optional - Butt weld or tube extensions
- Solenoid operator is constructed of Class H material or better. 120 VAC or 125 VDC. Other voltages available.





Specifications

Operating Pressure and Flow Ratings

Media	Operating Pressure (PSIG)	Ambient Temp.	Line Size	Flow Rate
Liquid	0 - 2500	650°F	3/8" to 2"	1.5 to 3.0 GPM