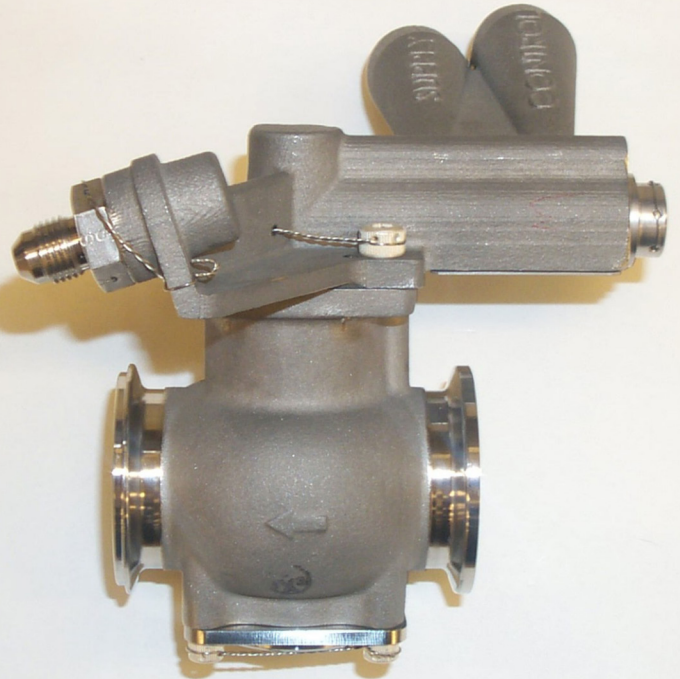
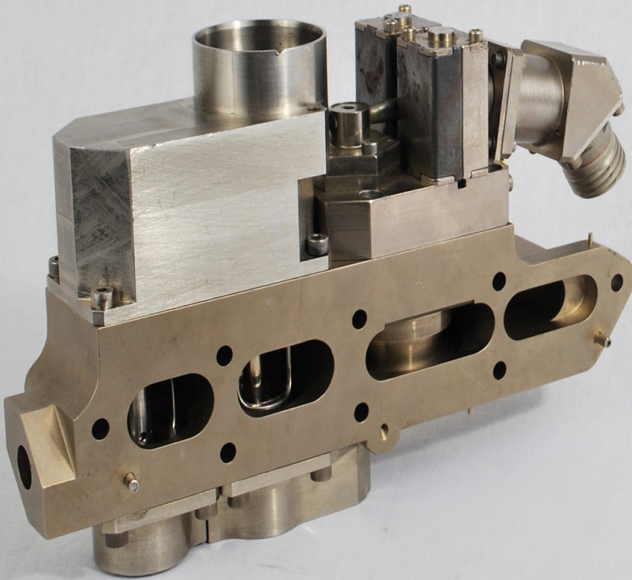


V44700 - Engine Bleed Air Valve

Pressure Regulator

Valcor Aerospace



DESCRIPTION

Valcor offers a subset of their V44700 Series for aircraft engine bleed air (hot gas) applications. These valves are pressure regulators. The valve body is designed for high flow with low pressure drop.

APPLICATION

This subset of the V44700 valves are ideal for engine bleed air, nitrogen generating systems, OBIGGS pressure regulation, and pressure regulating shut-off valve applications. They can handle fluid temperatures up to 900°F.

They have been and are currently successfully used in the following:

- Large Commercial
- Passenger Aircraft
- Small Commercial Aircraft
- Military Cargo Aircraft
- Military Helicopters

FEATURES

- Pressure Regulation
- Custom porting available up to 2" lines
- Ambient Temperature Range: -65°F to +165°F
- Fluid Temperature Range: -65°F to +900°F
- Pressure range: 0-300 PSIG
- Weight ranges from 3 lbm to 5 lbm, depending on pressure and flow rate

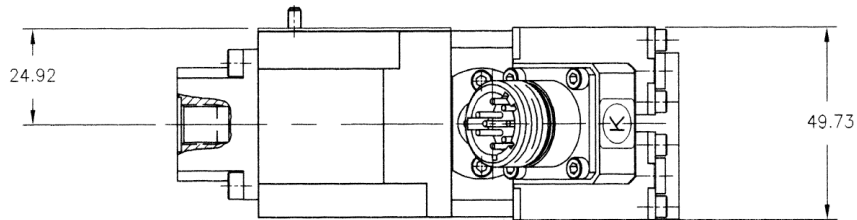


SOLENOID VALVE SERIES 44700 ENGINE BLEED AIR VALVE

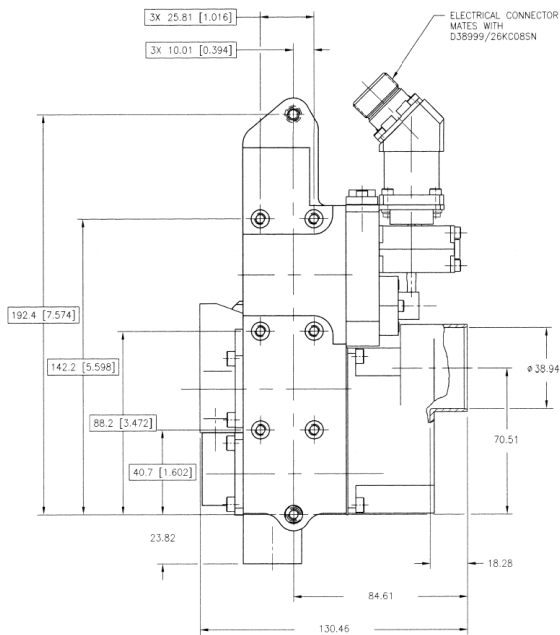
Part Numbers

Valcor Part No.	Operating Fluid	Temperature	Operating Pressure	Flow Rate	Weight
V100000-235-W	Engine Bleed Air	-65°F to 546°F	0 to 40 PSIG	.51 kg/sec	4.2 LBS
V44700-252-W	Engine Bleed Air	-65°F to 250°F	18 to 65 PSIG	85 LBS/min	4 LBS
V44700-300-W	Engine Bleed Air	-65°F to 890°F	15 to 275 PSIG	10 LBS/min	5.5 LBS

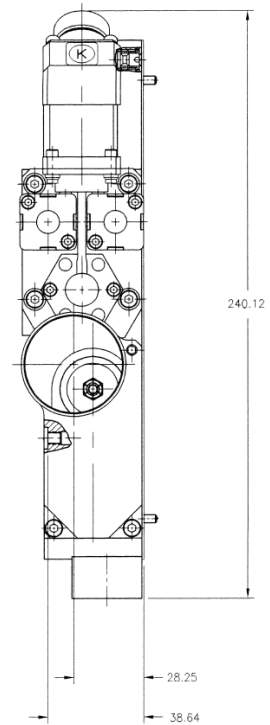
Envelope Estimates



V100000-235 Top



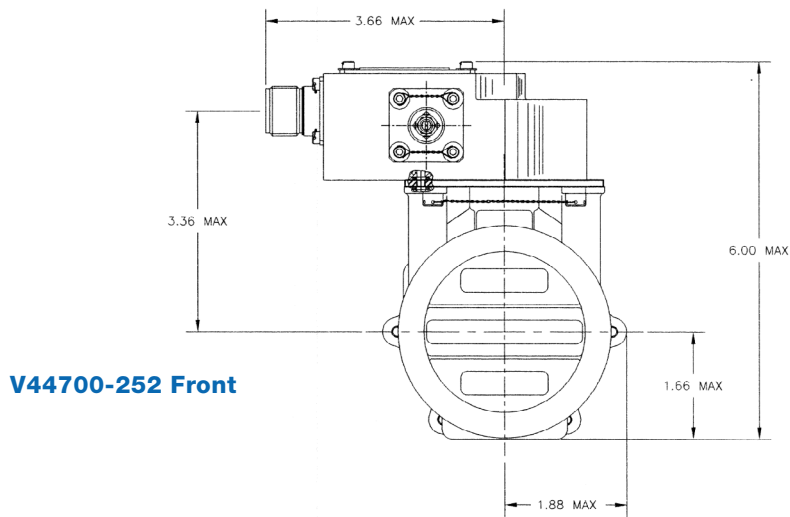
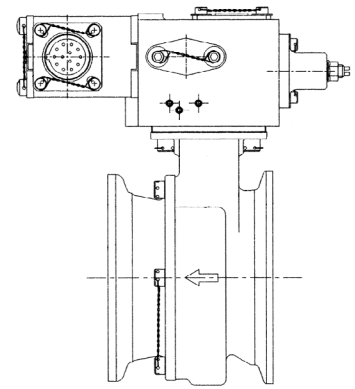
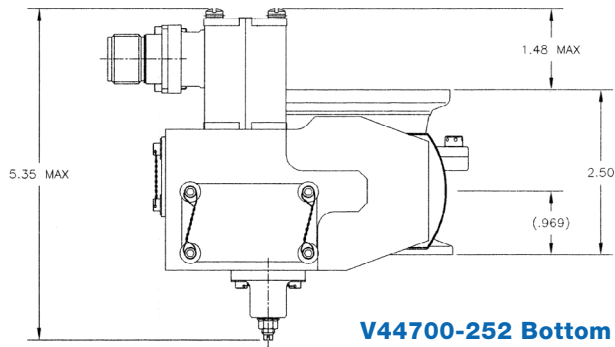
V100000-235 Bottom



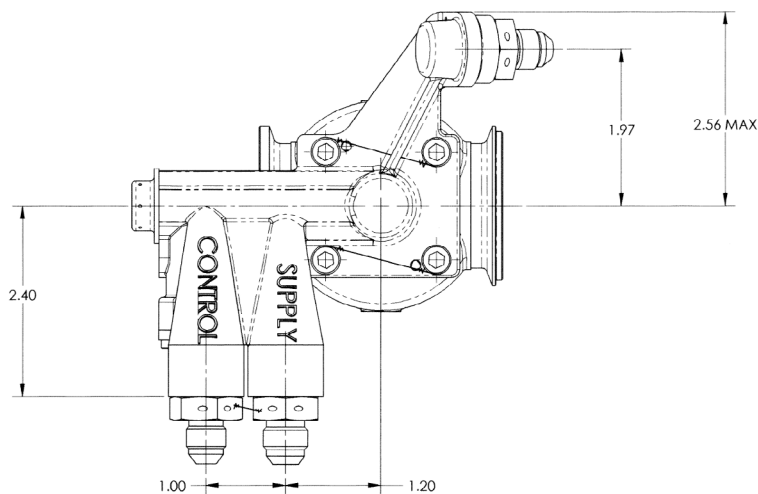
V100000-235 Back

SOLENOID VALVE SERIES 44700 ENGINE BLEED AIR VALVE

Envelope Estimates



V44700-300 Top



V44700-300 Side

