



V27700-180-W

2-Way Dual Coil Latching Pilot Solenoid Valve

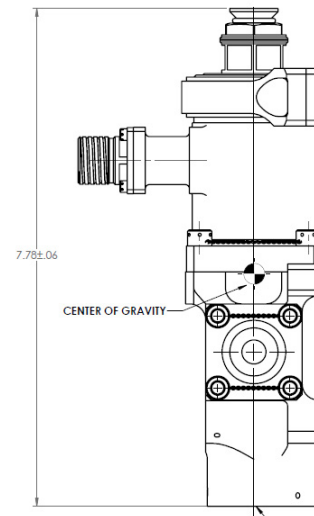
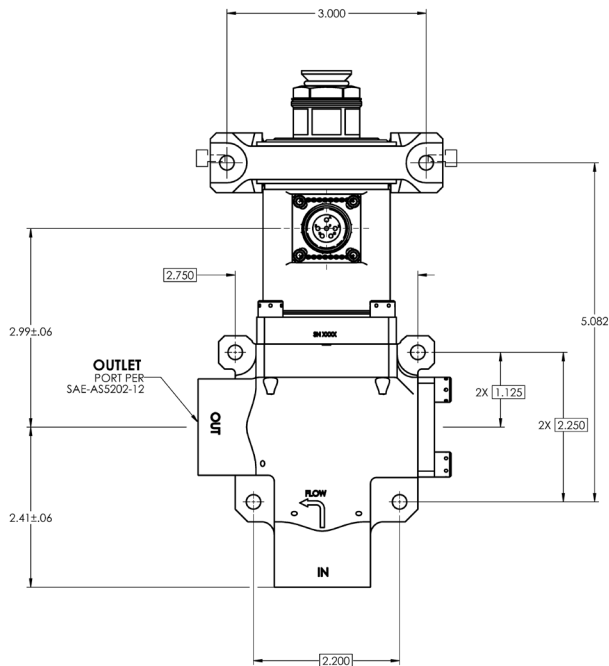
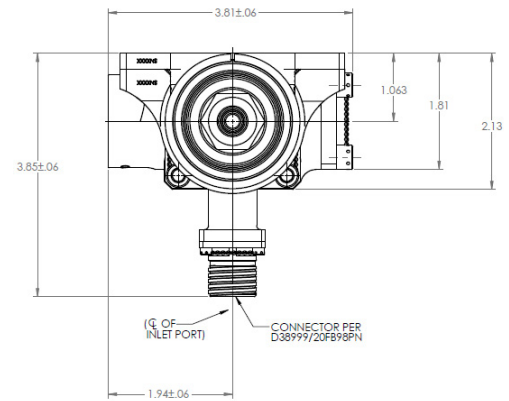
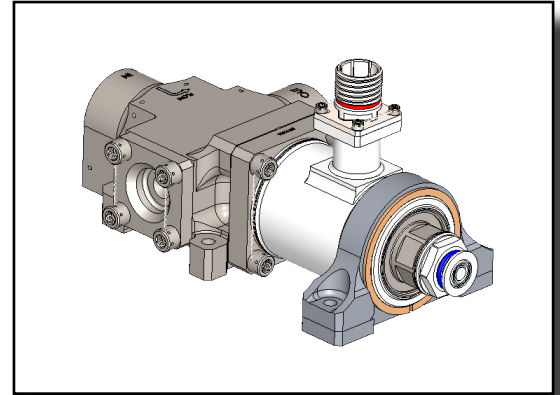
Valcor Aerospace

DESCRIPTION

This 2-way dual coil latching pilot solenoid valve is designed for use on launch vehicles. It is capable of servicing high vibration environments and high shock loads. The pilot operation allows for high pressure and flow capability with lower coil power consumption. The valve is capable of handling pressure up to 4500 psig. The valve can handle a wide temperature range of -100°F to $+130^{\circ}\text{F}$ with flow rates up to an ESEO of 0.327" ($\text{Cd}=0.65$). The dual coil design allows for continuous operation in the unlikely event that a single solenoid were to fail. This design also comes with a custom bracket around the solenoid, allowing it to handle high forces.

FEATURES

- Flow rates to 0.32" ESEO (Equivalent Sharp Edge Orifice) w/ $\text{Cd}=0.65$
- Compatible fluids include: GHe or GN_2
- Operating pressures 300 to 4500 psig
- Temperature Range -100°F to $+130^{\circ}\text{F}$
- Voltage Range 20-32 VDC
- Dual Coil Design
- Capable of handling high vibration and shock loads



For more information contact:
Valcor Engineering Corporation
2 Lawrence Road | Springfield, NJ 07081
(973) 467-8400 | aircraft@valcor.com
www.valcor.com