

# V45000

2-Way Normally Open or Normally Closed  
Shutoff Solenoid Valve

Valcor Aerospace - 2-Way Direct Piloted Solenoid Valve

## DESCRIPTION

The series 45000 and 2-way pilot operated, solenoid shutoff valves with gate-type design. They feature true inline flow and the packless gate valve advantages of Valcor's "Floating Seal" Principle. Series 45000 valves feature a pilot solenoid that is positioned to allow good radiation to the ambient and isolation from the main body temperature. This pilot uses a high temperature carbon seal which seals on a lapped stainless seat. High temperature gaskets are used for sealing the main body, however, welded seals are used when the application warrants their use.

## APPLICATION

Series 45000 valves are used extensively for engine bleed air and liquid applications. Their design features make the series particularly suitable for applications where high temperatures are the main consideration.

## FEATURES

- 2-way Shutoff
- Gate-type Design
- 1/2", 5/8" and 1" O.D. Line
- Configuration: Normally Closed, Normally Open
- Pressure range: 20-250 PSIG Maximum (Higher pressure designs possible)

### **Configuration A**

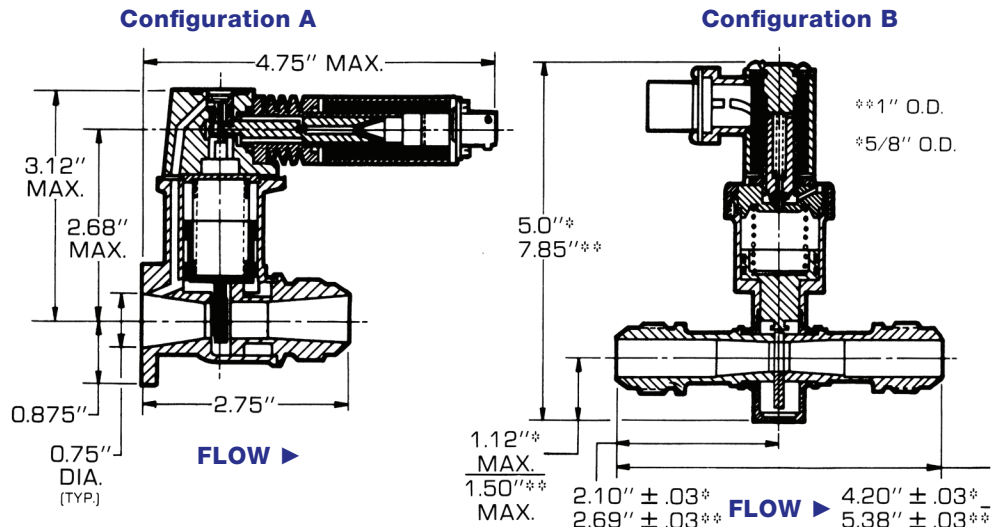
- Temperature: -65°F to +250°F (Ambient), -65°F to +750°F (Operating)
- Proof pressure: 200 PSIG
- Burst pressure: 400 PSIG Minimum
- Weight: 1.8 lbs (approx.)

### **Configuration B**

- Temperature: -65°F to +350°F (Ambient), -65°F to +750°F (Operating)
- Proof pressure: 570 PSIG
- Burst pressure: 950 PSIG Minimum
- Weight: 1.1 lbs (approx.)



## SOLENOID VALVE SERIES 45000



### Specifications

#### Operating Pressure and Flow Ratings: Configuration A

Equiv. Sharp Edged Orifice CD = .65	Operating Pressure (PSIG)	Ambient Temp.	Min. Volts DC	Cv
.75	20-90	165°F	18	10

### Electrical Data

Voltage	18 to 30 VDC
Duty	Continuous
Current	1.2 amps at 30 VDC and at 70°F
Electrical Connector	To suit customer requirements

### Leakage

External	.03 lbs./minute at 90 PSIG
Internal	.25 lbs./minute maximum

### Specifications

#### Operating Pressure and Flow Ratings: Configuration B

Equiv. Sharp Edged Orifice CD = .65	Operating Pressure (PSIG)	Ambient Temp.	Min. Volts DC	Cv
.52	25-250	165°F	18	5.2
.83	25-250	350°F	18	13.3

### Electrical Data

Voltage	18 to 30 VDC
Duty	Continuous
Current	.95 amps at 28 VDC and at 70°F
Electrical Connector	To suit customer requirements

### Leakage

External	.03 lbs./minute (Gas)
Internal	.25 lbs./minute (Gas)