

# V70600

2-Way Normally Open or Normally Closed  
Shut-Off Solenoid Valve

Valcor Aerospace - 2-Way Direct-Acting Solenoid Valve

## DESCRIPTION

The series 70600 are direct-acting, pressure balanced, solenoid shut-off valves that feature a manual override control. Balanced poppet design. These valves employ a simple construction containing only two moving parts. The solenoid directly actuates the poppet. The poppet plunger itself, contains a captured elastomeric or metal insert at its lower end. The insert directly seals against the seat, which is part of the valve body. A spring is used to return and maintain the plunger in the de-energized position. Pressure forces are dynamically and statically balanced through the dynamic "O" ring seal on the solenoid poppet plunger, allowing the use of a lightweight, compact solenoid and permitting high flow capacity.

## APPLICATION

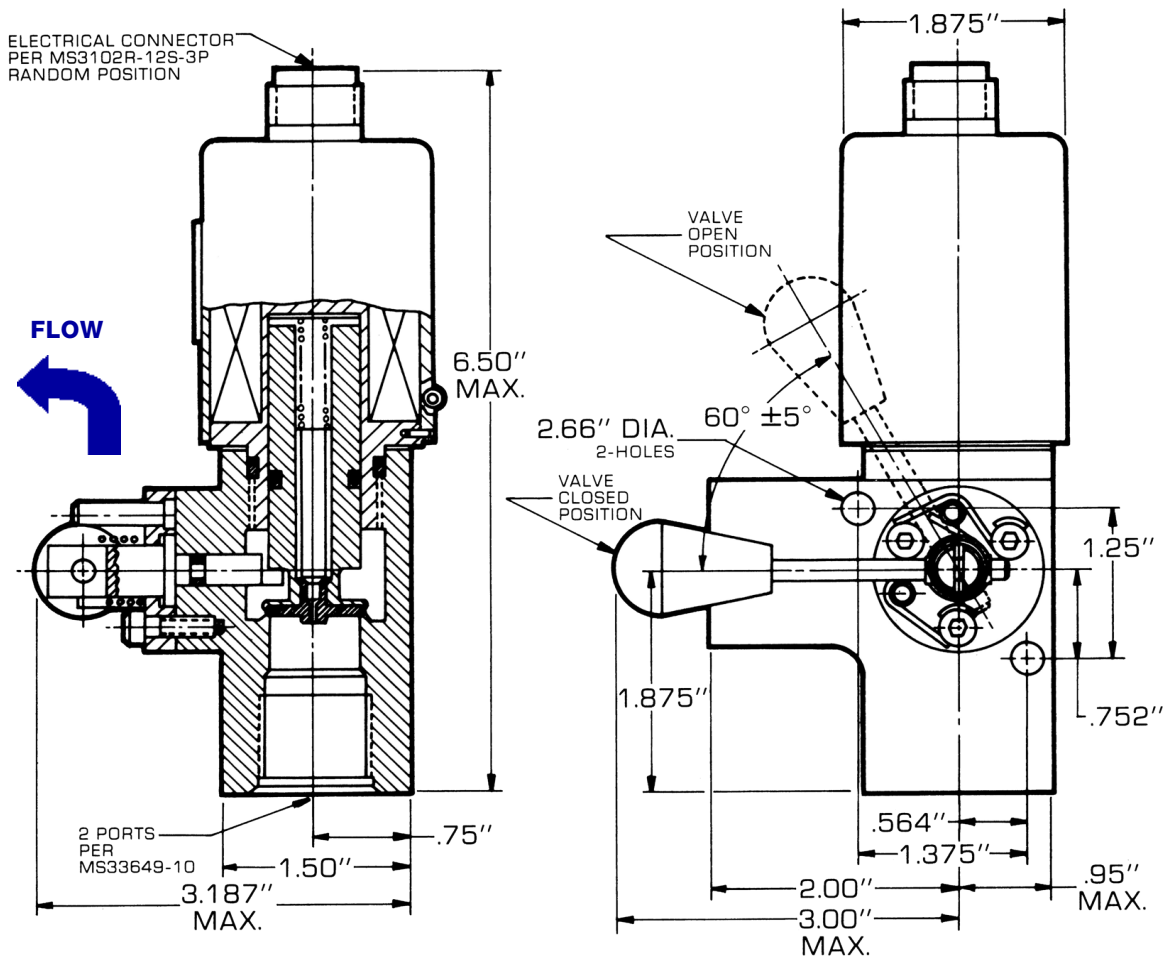
Series 70600 valves are designed to provide high flow at both high and low pressure and can be used with most commonly used non-corrosive fluids and gases. The standard manual override control provides additional operational flexibility.

## FEATURES

- 2-Way Shut-off with Manual Override
- 3/4" and 1" O.D. Line
- Configurations: Normally Closed, Normally Open
- Temperature: -65°F to +165°F (Ambient), -65°F to +165°F (Fluid)
- Pressure Range: 0-1000 PSIG
- Proof Pressure: 3500 PSIG
- Burst Pressure: 7000 PSIG Minimum
- Weight: 2.7 lbs. (approx.)



# SOLENOID VALVE SERIES 70600



## Specifications

### Operating Pressure and Flow Ratings

Equiv. Sharp Edged Orifice CD = .65	Operating Pressure (PSIG)	Ambient Temp.	Min. Volts DC	Cv
.25	0-1000	165°F	18	1.2

## Electrical Data

Voltage	18 to 30 VDC
Duty	Continuous
Current	1.4 amps at 30 VDC and at 70°F
Electrical Connector	MS3102-12S-3P is standard

## Leakage

External	Zero bubbles in 3 minutes
Internal	10 scc/hr. at 1000 PSIG