

V68000

2-way Normally Open or Normally Closed
Shutoff Solenoid Valve

Valcor Aerospace– 2-way Direct-Acting Solenoid Valve

DESCRIPTION

The series 68000 are direct-acting, pressure balanced, solenoid valves with coaxial design. They are designed for high pressure use and high flow service. Relative compactness is achieved using the solenoid plunger to carry the valve poppet seal. These valves have a coaxial flow configuration which permits an envelope that is symmetrical and compact. The advantages of this design include freedom from indexing, offset plumbing, angles and difficult clearance allowance. Precise alignment of the simple structure with the support and seal subassembly provide close concentricity control. This assures good sealing without the wear that can occur with the repeated impact of millennium cycling.

APPLICATION

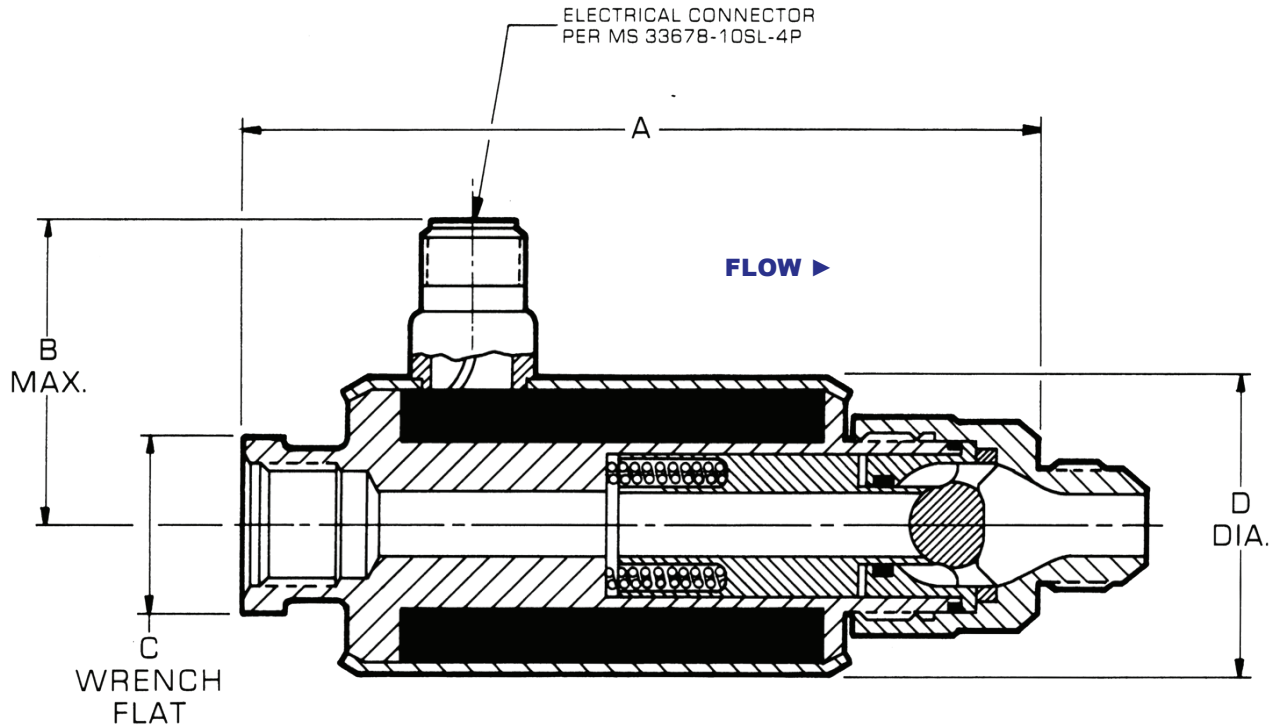
The excellent basic design of series 68000 valves make them ideal for non-corrosive fuel, hydraulic and pneumatic applications. With slight modifications, the series can be used for corrosive media. The design provides high reliability in contaminated systems.

FEATURES

- 2-way Shutoff
- 1/4", 3/8" and 1/2" O.D. Line
- Optional material of construction
- Configuration: Normally Closed, Normally Open
- Temperature: -65°F to +165°F (Standard Construction), -65°F to +450°F (Special Construction)
- Pressure range: 0-3000 PSIG Maximum
- Proof pressure: 4500 PSIG
- Burst pressure: 7500 PSIG Minimum
- Weight: 0.7 lbs (approx.) with 1/4" port, 1.6 lbs (approx.) with 3/8" port, 2.3 lbs. (approx.) with 1/2" port



SOLENOID VALVE SERIES 68000



Tabulation

Port Size	A	B	C	D
-4	3.06"	1.687"	.687"	1.30"
-6	3.90"	1.859"	.812"	1.63"
-8	4.60"	1.937"	1.062"	1.82"

Specifications

Operating Pressure and Flow Ratings

Port Size	Equiv. Sharp Edged Orifice CD = .65	Operating* Pressure (PSIG)	Ambient Temp.	Min. Volts DC	Cv
-4	.125	0-3000	165°F	18	.3
-6	.200	0-3000	165°F	18	.8
-8	.285	0-3000	165°F	18	1.5

Electrical Data

Voltage	18 to 30 VDC (higher ratings available)
Duty	Continuous
Current	1.5 amps typical
Electrical Connector	MS3102-10SL-4P is standard. Other receptacles are available.

Leakage

External	Zero over range of 0 to 3000 PSIG
Internal	Liquid Service, zero drops in 3 minute. Gas Service, 4 scc/hour maximum

Temperature	Derating Factor
250°F	.71
350°F	.62
450°F	.54

* These ratings are based on using hydraulic fluids. For higher temperatures, the pressure rating must be reduced. The following table approximates the derating required.