

# V4700 - Submerged

2-Way Normally Open or Normally Closed  
Shut-Off Solenoid Valve

Valcor Aerospace - 2-Way Direct Acting Solenoid Valve

## DESCRIPTION

The series 4700-Submerged are direct acting, solenoid shut-off valves capable of operating while submerged in aircraft grade fuels. Flow can be shut off in either direction. Series 4700-Submerged valves are similar to Valcor's series 4700 with a modification to the solenoid housing. A fluorosilicone "O" Ring is used to seal off the solenoid area allowing these valves to operate while being completely submerged in fuel. These valves utilize Valcor's "Floating Seal" Principle, which features an optically flat seal disc riding against an equally flat seal. Because of this gate-type action, the seat is wiped clean with every valve operation. This wiping action virtually keeps it from being affected by contaminants.

## APPLICATION

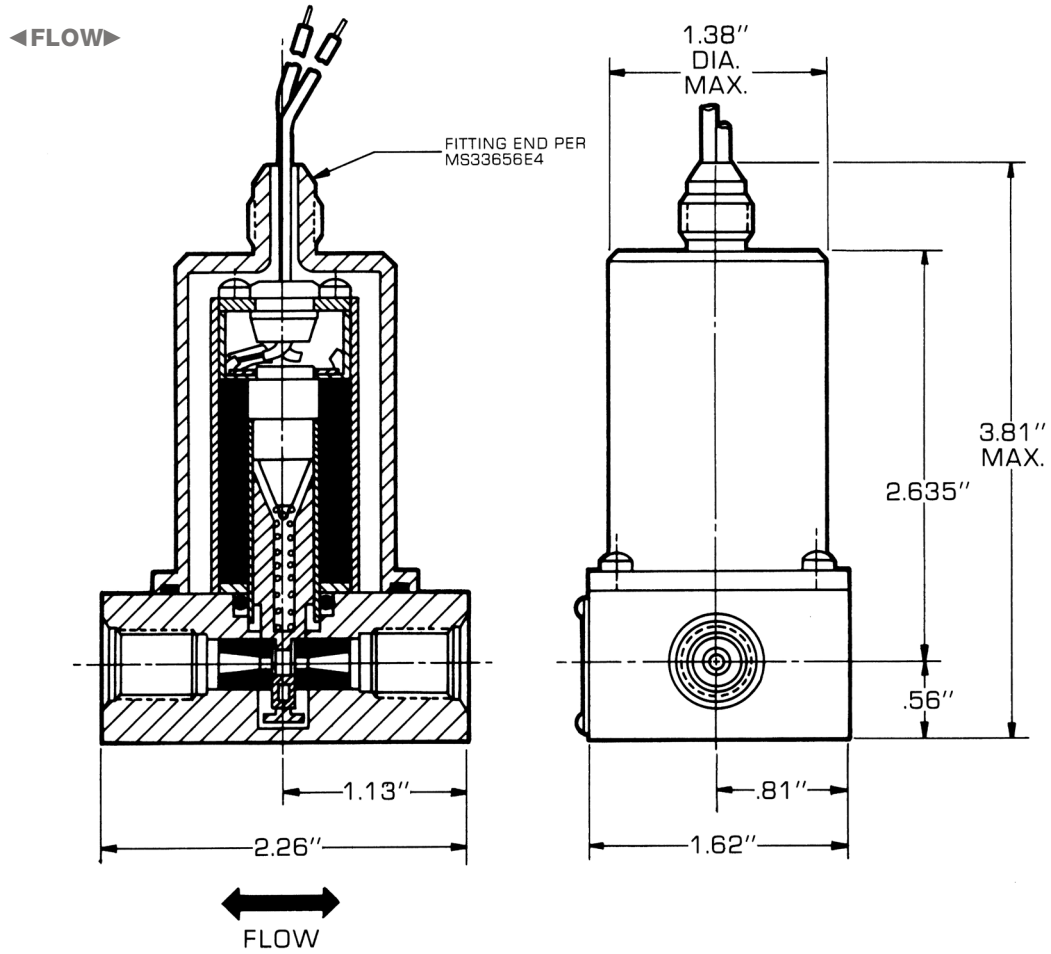
Series 4700-Submerged valves are primarily used where valves are needed to function while submerged in fuel.

## FEATURES

- 2-Way Shut-off
- Gate-Type Design
- Floating Seal
- 1/4", 3/8" O.D. Line
- Configurations: Normally Closed, Normally Open
- Temperature: -65°F to +160°F (Ambient), -65°F to +140°F (Fluid)
- Pressure Range: 0-150 PSIG Maximum
- Proof Pressure: 300 PSIG
- Burst Pressure: 450 PSIG Minimum
- Weight: 0.55 lbs. (approx.) with 1/4" port, 1.00 lb. (approx.) with 3/8" port



**SOLENOID VALVE SERIES 4700 SUBMERGED**



**Specifications**

**Operating Pressure and Flow Ratings**

**NORMALLY CLOSED CONFIGURATION**

Port Size	Equiv. Sharp Edged Orifice CD = .65	(PSIG)	Operating Pressure Ambient Temp.	Min. Volts DC	Cv
-4	.072	0-150	70°F	16	.1 min.
-6	.200	0-150	70°F	16	.8 min.

*These ratings are based on using JP4 Aviation Fuel*