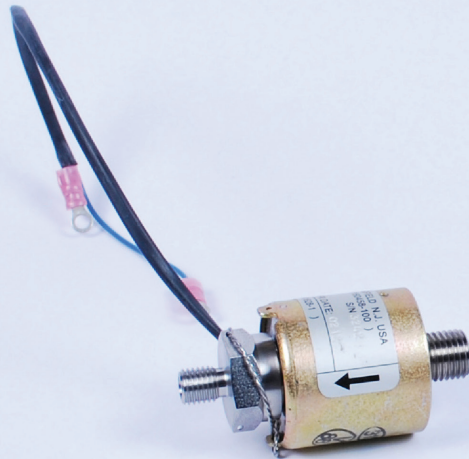


# V27200

2-Way Normally Open or Normally Closed  
Shut-Off Solenoid Valve

Valcor Aerospace - 2-Way Direct Acting Solenoid Valve



## DESCRIPTION

Series 27200 are direct-acting valves with a coaxial flow pattern. They are extremely compact and lightweight. Compactness is achieved by using the solenoid plunger to carry the valve poppet seal. Series 27200 valves consist of a ported solenoid and an adapter fitting. In the normally open version, the seat is either an integrated part or an insert inside of the solenoid stop. The plunger has a soft, non-metallic insert used to seal the orifice in the seat. For high pressure combined with high flows and temperatures, metal-to-metal seating or hard plastics would be recommended.

## APPLICATION

Most series 27200 valves are used for non-corrosive fluids and gases. However, many of them have been modified for corrosive service as well. In its various modified versions, series 27200 has been used extensively on missiles, satellites and aircrafts with a variety of fluids and gas media.

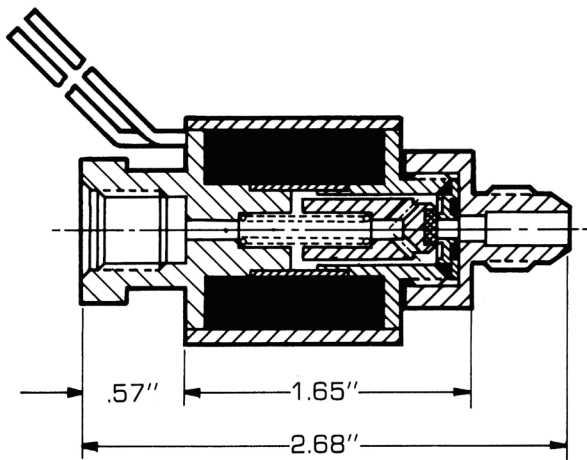
## FEATURES

- 2-way Shutoff
- 1/8" and 1/4" O.D. Line
- Configuration: Normally Closed, Normally Open
- Temperature: -65°F to +450°F
- Pressure range: 0-4000 PSIG  
Maximum
- Burst pressure: 7500 PSIG  
Minimum
- Weight: 0.45 lbs (approx.)

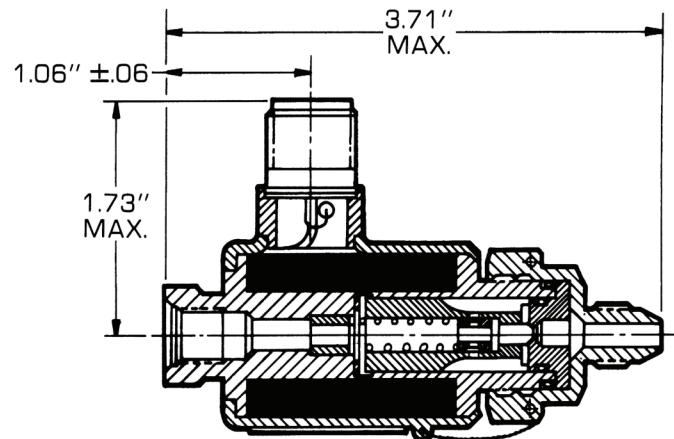


**SOLENOID VALVE SERIES 27200**

**CONFIGURATION B**



**CONFIGURATION A**



**Specifications**

**Operating Pressure and Flow Ratings**

**CONFIGURATION A**

Equiv. Sharp Edged Orifice CD = .65	Operating Pressure (PSIG)		Ambient Temp.	Min. Volts DC	Cv
	30 OHM Coil	47 OHM Coil			
.03	1-3000	0-4000	165°F	18	.02
.06	1-1250	0-1900	165°F	18	.07

**CONFIGURATION B**

.09	1-630	0-900	165°F	18	.15
.12	0-220	0-330	165°F	18	.28
.15	0-50	0-75	165°F	18	.42

*These ratings are based on using JP4 Aviation Fuel. For higher temperatures, the pressure rating must be reduced. The following table approximates the derating required.*

Temperature	Derating Factor
250°F	.71
350°F	.62
450°F	.54

**Electrical Data**

Voltage	18 to 30 VDC
Duty	Continuous
Current	1.5 amps max. at 30 VDC and at 70°F
Available Coil Windings	In many cases, the current draw can be reduced to 0.95 amps max. at 30 VDC and 70°F by use of a higher resistant winding without materially affecting the basic rating. In addition, other windings can be furnished for higher pressures or flow ratings for intermittent duty service. Higher resistance winding can also be provided, but pressure and flow ratings must be decreased.
Electrical Connector	Pigtail leads (36" long) made of #22 or #24 wire to MIL-W-1687A Type EE are standard. MS receptacles mounted on the solenoid shell can be provided.

**Leakage**

External	Zero over range of 0 to 4000 PSIG
Internal	Liquid Service, 0 drops/3 min. Gas Service, 10 scc/hr. typical. Better ratings are achievable via special sealing techniques.