



V27700-140-W

2-Way Latching Propellant Solenoid Valve

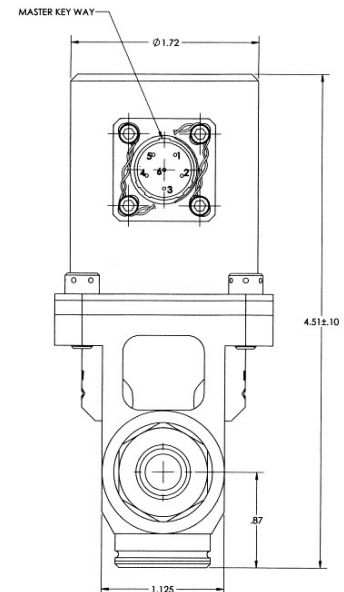
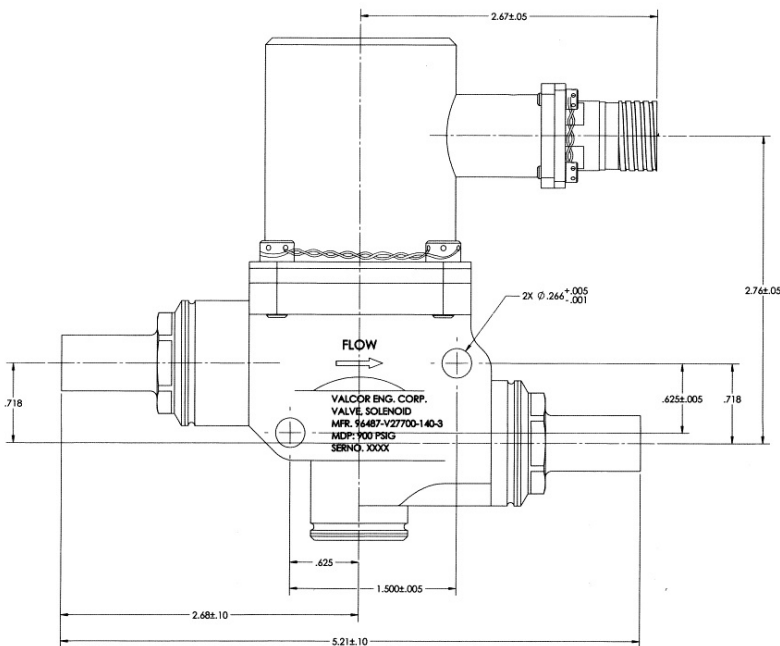
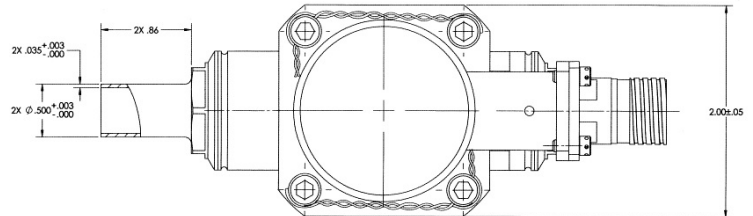
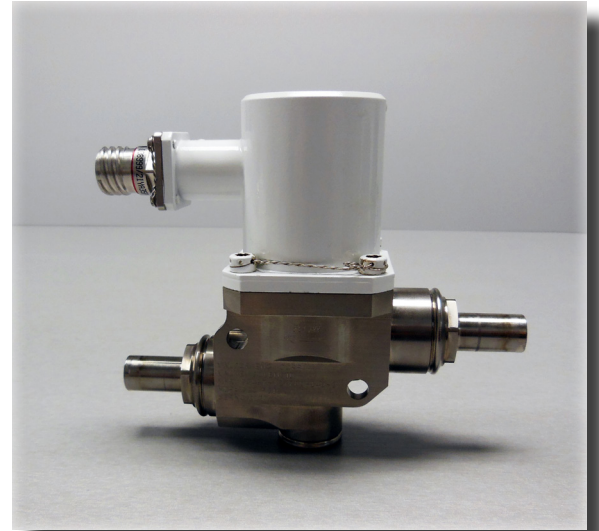
Valcor Aerospace

DESCRIPTION

This 2-way latching hypergolic propellant valve is designed for spacecraft and launch vehicle applications. It is fast acting and can survive very high vibration levels with a compact, lightweight design. The solenoid is a dual coil latching design to allow the valve to remain in either the open or closed position and can be configured with open/close position indication. This valve is designed with a direct acting, balanced poppet design, capable of remaining open or closed, regardless of flow/pressure. The valve is also capable of handling hypergolic propellants, including MMH and NTO. The coil is hermetically sealed and capable of withstanding the most extreme environments.

FEATURES

- Flow rates to 0.28" ESEO (Equivalent Sharp Edge Orifice) w/ Cd=0.65
- Compatible fluids include: MMH, NTO, GHe, GN₂, MON-3
- Operating pressures up to 360 psig, Max design (non-operating) pressures up to 900 psig
- Rated for continuous duty
- Response is <100 ms N.C. valve
- Direct acting, balanced poppet
- Latching dual coil (single seat) hermetically sealed valve
- Position indication
- Remains open regardless of flow/pressure



For more information contact:

Valcor Engineering Corporation
2 Lawrence Road | Springfield, NJ 07081
(973) 467-8400 | aircraft@valcor.com
www.valcor.com