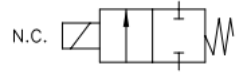


# SV97

2-Way Normally Closed  
Cryogenic Solenoid Valve



Valcor Cryogenic Series



## DESCRIPTION

The SV97 series is a direct acting, 2-way normally closed solenoid valve designed to handle cryogenic fluids and gases down to  $-320^{\circ}\text{F}$ . This series employs PTFE plunger guides, which help the valve to operate in the extremely high friction environment that is typical with cryogenic applications. This feature also yields quieter operation and long life. The springloaded disc and direct acting poppet design ensures proper sealing and reliable shifting in high on/off cycling.

## APPLICATION

The SV97 series is a rugged construction suitable for a variety of cryogenic applications such as the following:

- Food processing/freezing
- Backup system for biologic freezers
- Environmental chambers
- Metal treatment
- Gas chromatography
- Fogging machines
- Cryogenic surgery equipment

## FEATURES

- Proprietary seat/seal design for cryogenic fluids to  $-320^{\circ}\text{F}$
- Direct acting design with no minimum operating pressure
- Quiet operation with bubble-tight shut-off
- Welded construction eliminates external leakage
- Pressure rating up to 1000 PSI
- Mountable in any position

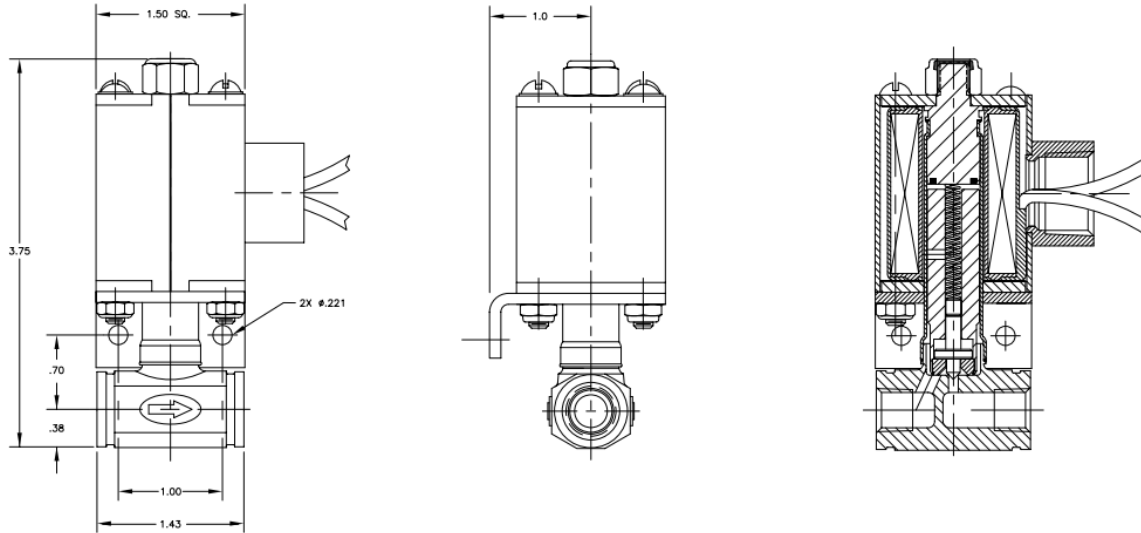


## VALCOR SV97 SPECIFICATIONS

### Construction

#### Valve Parts in Contact With Fluid

Body	SS
Seal Disc	PTFE
Plunger Tube	303 SS
Plunger	430F SS
Plunger Stop	430F SS
Spring	303 SS
Rider Rings	PTFE
Shading Coil	Silver



### Electrical

Standard Voltages	115/60 AC & 24 VDC. Consult factory for other voltages.
Standard Coil Housing	General purpose with 1/2" NPT conduit. Explosion proof, grommated pigtails, and DIN are available. Consult factory. Replace 1st "C" in part number with "ER" for explosion proof. Replace 1st "C" in part number with "G" for grommated pigtails. Example: SV97ER88C8-4 for explosion proof solenoid. Encapsulated with DIN terminals for 18 mm (43650A) connector is available. Consult factory for part numbers.

### Specifications

Port Size (NPT)	Orifice Size (ins.)	C <sub>v</sub>	Max. Pressure (PSI)				Model Number		Wattage	
			AC		DC		Normally Closed		115/60Hz	24/DC
			Gas	Liquid	Gas	Liquid	AC	DC		
2-Way Normally Closed										
1/4	5/64	0.04	1000	1000	1000	1000	SV97C88C1B	SV97C84C1B	14	21
1/4	3/32	0.20	775	675	750	650	SV97C88C2B	SV97C84C2B	14	21
1/4	1/8	0.40	550	300	400	275	SV97C88C3B	SV97C84C3B	14	21
1/4	5/32	0.50	275	175	200	165	SV97C88C4B	SV97C84C4B	14	21
1/4	3/16	0.60	175	125	125	100	SV97C88C5B	SV97C84C5B	14	21
1/4	1/4	0.80	75	75	50	45	SV97C88C6B	SV97C84C6B	14	21