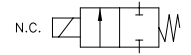
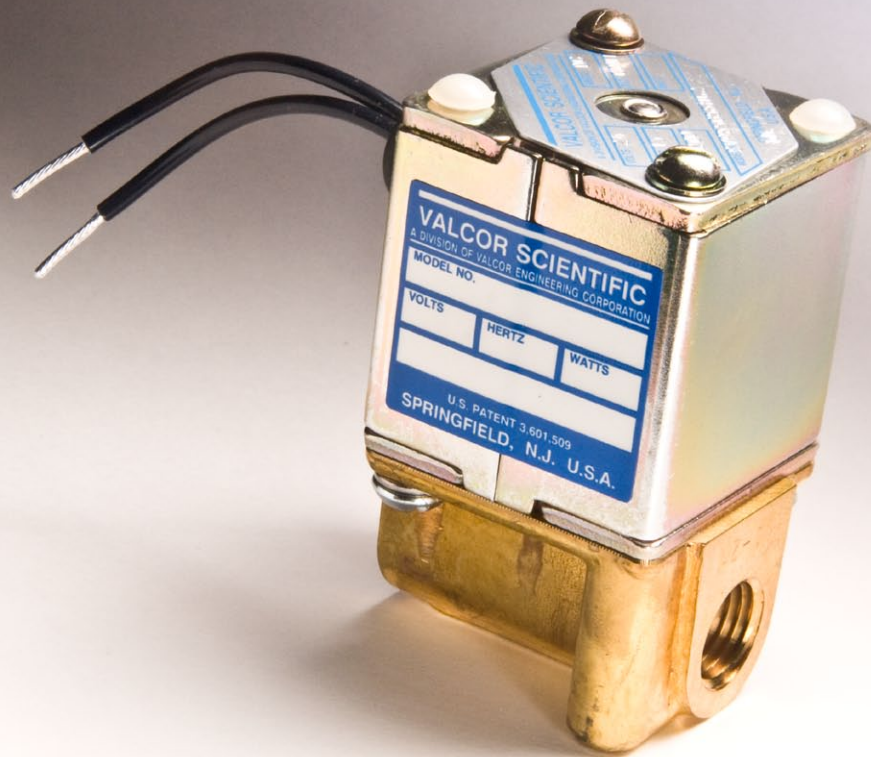


SV95

2-way Direct Acting, Normally Closed
Cryogenic Solenoid Valve



Valcor Cryogenic Series



DESCRIPTION

The SV95 series is a direct acting 2-way normally closed solenoid valve designed to handle cryogenic fluids and gases down to -345°F . This series employs Teflon plunger guides which help the valve to operate in the extremely high friction environment that is typical with cryogenic applications. This feature also yields quiet operation and long life. The springloaded disc and direct acting poppet design ensures proper sealing and reliable shifting in high on/off cycling.

APPLICATIONS

The SV95 series is a rugged construction suitable for a variety of cryogenic applications such as the following:

- Food processing/preserving
- Backup system for biologic freezers
- Environmental chambers
- Metal treatment
- Gas chromatography
- Fogging machines
- Cryogenic surgery equipment

FEATURES

- Proprietary seat/seal design for cryogenic fluids to -345°F
- Direct acting design with no minimum operating pressure
- Quiet operation with bubble-tight shutoff
- Compact design
- Pressure rating up to 1000 PSI
- Mountable in any position
- Adaptable to manifold design

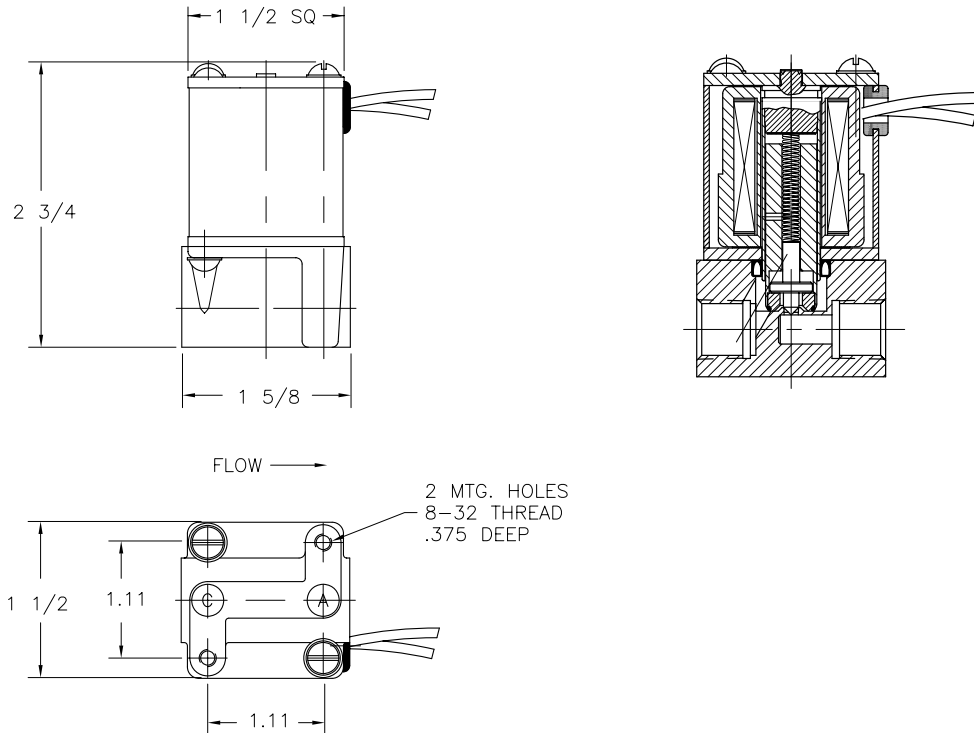


VALCOR SV95 SPECIFICATIONS

Construction

Valve Parts in Contact with Fluid

Body	Brass
Seal Disc	Teflon
Body Seal	Teflon
Plunger Tube	303 SS
Plunger	430F SS
Plunger Stop	430F SS
Spring	303 SS
Rider Rings	Teflon



Electrical

Standard voltages	115/60 AC & 24/VDC. Consult factory for other voltages
Standard coil housing	General purpose with grommet 18" pig tails General purpose with 1/2" conduit is also available. Consult factory. Replace "G" in part number with "C" for general purpose with 1/2" conduit Example: SV95C60C6 for general purpose with 1/2" conduit solenoid.

Specifications

Port Size	Orifice Size (ins.)	C _v	Max. Pressure (PSI)	Model Number	Wattage		Recommended Nozzle orifice
					115/ 60Hz	24/ DC	
2-way Normally Closed							
1/8	1/8	0.35	150	SV95G32HC23	15		0.110"
1/8	1/8	0.35	150	SV955G56HC23		15	0.110"
1/4	3/64	0.06	1000	SV95G60C0	8.5		0.014"
1/4	3/64	0.06	1000	SV955G56HC0		10	0.014"
1/4	1/8	0.35	150	SV95G32HC3	15		0.110"
1/4	1/8	0.35	150	SV955G56HC3		15	1.110"
1/4	1/4	0.71	35	SV95G32HC6	15		0.220"
1/4	1/4	0.71	35	SV955G56HC6		15	0.220"