

SV85

3-way Direct Acting
High Pressure, High Flow
Balanced Poppet Solenoid Valve



Valcor General Purpose Series



DESCRIPTION

The SV85 series is a 3-way, balanced poppet solenoid valve that is capable of handling up to 625 PSI of pressure in the diverting mode of flow. The normally open and normally closed versions handle 250 PSI of pressure. The poppet and seal assembly is spring loaded and shifted by a high force solenoid. This direct acting series requires no minimum pressure to operate and has no pilot holes to clog, eliminating hang-ups. Options for various elastomer makes this series compatible with a wide variety of fluids.

APPLICATIONS

The SV85 series is suitable for a broad range of light industrial applications including:

- High pressure water control
- Coolant control
- Steam systems
- Tank filling
- Car wash
- Fuel control

FEATURES

- Direct acting design is less prone to hanging up
- High pressure & high flow design
- Rugged construction suitable for wide range of industrial uses
- Fail safe design in event of power interruption
- Bubble tight shut-off

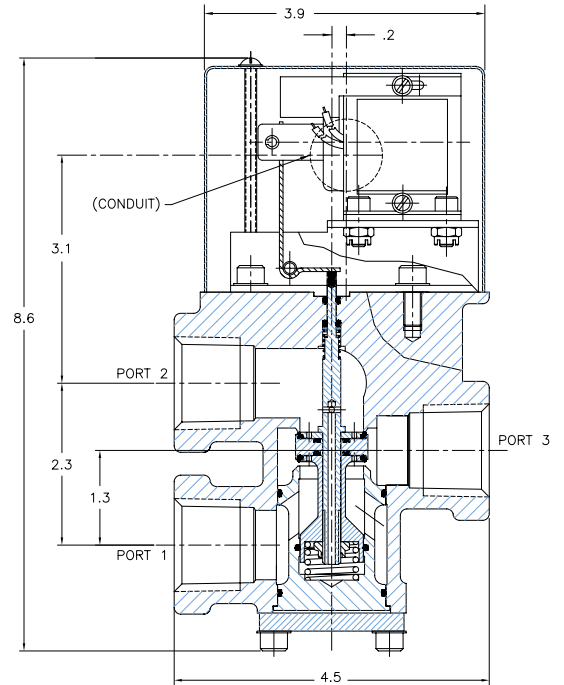
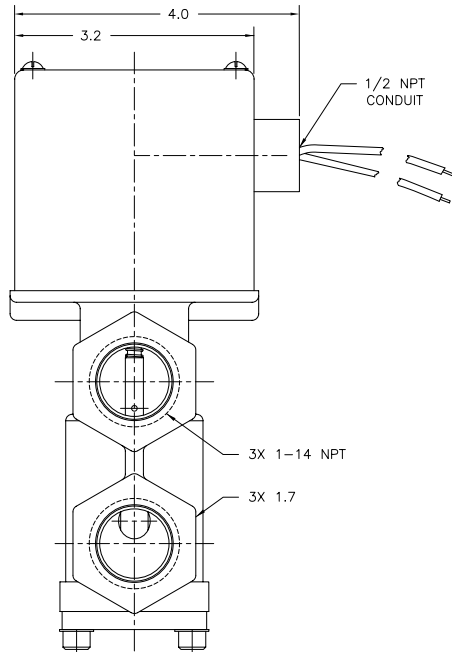


VALCOR SV85 SPECIFICATIONS

Construction

Valve Parts in Contact with Fluid

Body	Bronze
Seal Disc	Buna N, Viton or EPDM
Seal disc holder	303 SS
Rod assembly	303 SS
Body Seal	Buna N, Viton or EPDM
Spring	303 SS



Electrical

Standard voltages	115/60 AC
Coil	UL class H with 10" leads
Standard coil housing	General purpose with 1/2" NPT conduit

Specifications

Port Size (NPT)	Orifice Size (ins.)	C _v	Max. Operating Pressure (PSIG)		Seals	Form of Flow	Model Number	Wattage
			Gas & Liquid	Steam				115/ 60Hz
3-way, Bronze Body								
1	7/8	7	250		Buna N	Normally Closed	SV85C18HC6	15
1	7/8	7	250		Buna N	Normally Open	SV85C18HO6	15
1	7/8	7	625		Buna N	Diverting	SV85C18HD6	15
1	7/8	7	250		Viton	Normally Closed	SV85C18HC2	15
1	7/8	7	250		Viton	Normally Open	SV85C18HO2	15
1	7/8	7	625		Viton	Diverting	SV85C18HD2	15
1	7/8	7		200	EPDM	Normally Closed	SV85C18HC7	15
1	7/8	7		200	EPDM	Normally Open	SV85C18HO7	15
1	7/8	7		200	EPDM	Diverting	SV85C18HD7	15

Valves must be mounted with solenoid in the vertical and upright position.

This series is also available in 110/50 and 220/50 voltage