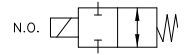


SV76SM

2-way Normally Open Surface Mount
Diaphragm Isolation Construction



Valcor Teflon Instrumentation Series



DESCRIPTION

The SV76SM series valves utilize a Teflon diaphragm to seal on a Teflon seat. As a result these valves are capable of handling a wide variety of corrosive or high purity media by isolating all metallic components from the media. Additionally, this series is designed to be surface mounted to the user's manifold block yielding an integral flow control design that eliminates the need for piping or tubing. This compact series is direct acting which yields positive shifting and reliable operation. Alternate materials like PEEK & Kel-F are available as body material. Consult factory for availability.

APPLICATIONS

The SV76SM series diaphragm isolation valves are suitable for a broad range of applications, including:

- Ink jet printers
- Chromatography
- Clinical or chemical analyzers
- Chemical mixing/dispensing
- Laboratory equipment

FEATURES

- Diaphragm isolation construction for high purity processes
- Handles corrosive and aggressive fluids
- Compact low dead volume designs
- Low power consumption solenoids
- Bidirectional pressure at any port
- Direct acting
- Long life expectancy



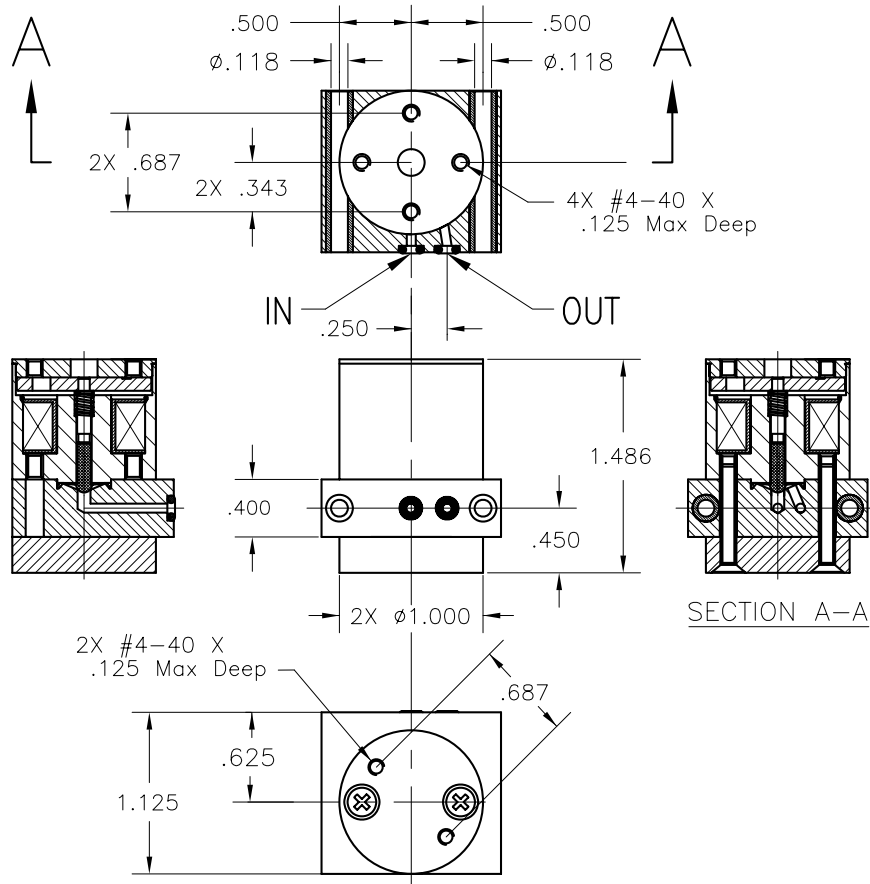
VALCOR SV76SM SPECIFICATIONS

Construction

Valve Parts in Contact with Fluid

Body	Teflon
Diaphragm	Teflon
Surface Seal	Viton
Other Parts	
Armature	430F SS
Spring	303 SS
Coil Housing	Nickel Plated Steel
Base Plate	Nickel Plated Steel

Body is also available in PEEK & Kel-F. Consult factory for availability of specific constructions.



Specifications

Port Position	Orifice Size (ins.)	Max. Operating Pressure		Model Number	Voltage	Wattage
		Gas & Liquid (PSI)	Vacuum (in. Hg)			
SV76SM 2-way Normally Open, Surface Mount						
Left	0.062"	30	28	SV76SMLP25T-1	12 VDC	1.5
Right	0.062"	30	28	SV76SMRP25T-1	12 VDC	1.5
Left	0.062"	30	28	SV76SMLP25T-2	24 VDC	1.5
Right	0.062"	30	28	SV76SMRP25T-2	24 VDC	1.5

Alternate voltage of 6 VDC & 115V/60 Hz available upon request. Please consult factory for availability & part number.

High pressure version available up to 100 PSI (-HP). Please consult factory for availability of specific constructions.

Port position: Looking directly at the ports with the solenoid on top, "L" indicates outlet port is left of inlet port, and "R" indicates outlet port is right of inlet port.