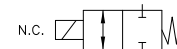


SV74M

Inline Manifold Construction
2-way Normally Closed
Diaphragm Isolation Construction



Valcor Teflon Instrumentation Series



DESCRIPTION

The SV74M series inline valve manifold configuration incorporates Valcor's compact 2-way normally closed diaphragm isolation solenoid valves into a multi position inline manifold body. The bidirectional design of these valves allows the manifold to have a common pressure port flowing to multiple lines or pressures from multiple ports flowing to a common. Standard construction is equipped with Teflon body and isolation diaphragm.

APPLICATIONS

The SV74M series inline valve manifold are suitable for a broad range of applications, including:

- Ink jet printers
- Chromatography
- Clinical or chemical analyzers
- Chemical mixing/dispensing
- Laboratory equipment

FEATURES

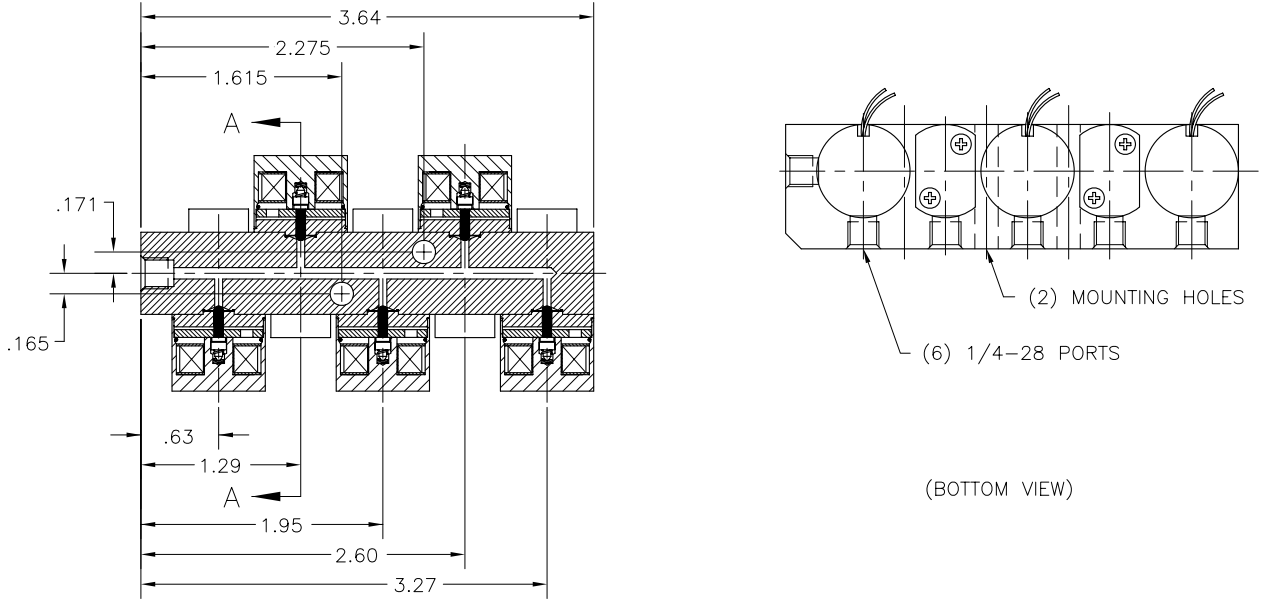
- Diaphragm isolation construction for high purity processes
- Handles corrosive and aggressive fluids
- Compact low dead volume design
- Bidirectional flow design
- Low power consumption solenoid
- Direct acting construction



VALCOR SV74M SPECIFICATIONS

Construction

Valve Parts in Contact with Fluid	
Body	Teflon
Diaphragm	Teflon
Other Parts	
Armature	430F SS
Spring	303 SS
Coil Housing	Nickel Plated Steel
Base Plate	Nickel Plated Steel



Specifications

Port Size	Orifice Size (ins.)	Max. Operating Pressure		Model Number	Voltage	Wattage
		Gas & Liquid (PSI)	Vacuum (in Hg)			
Inline Manifold of (3) 2-way Normally Closed Valves						
1/4 - 28	0.040"	30	28	SV74MP61T3-1	12 VDC	1.0
1/4 - 28	0.040"	30	28	SV74MP61T3-2	24 VDC	1.0
Inline Manifold of (4) 2-way Normally Closed Valves						
1/4 - 28	0.040"	30	28	SV74MP61T4-1	12 VDC	1.0
1/4 - 28	0.040"	30	28	SV74MP61T4-2	24 VDC	1.0
1/4 - 28	0.062"	30	28	SV74MP25T4-1	12 VDC	1.5
1/4 - 28	0.062"	30	28	SV74MP25T4-2	24 VDC	1.5
1/4 - 28	0.095"	30	28	SV74MP60T4-1	12 VDC	4.2
1/4 - 28	0.095"	30	28	SV74MP60T4-2	24 VDC	4.2
Inline Manifold of (5) 2-way Normally Closed Valves						
1/4 - 28	0.040"	30	28	SV74MP61T5-1	12 VDC	1.0
1/4 - 28	0.040"	30	28	SV74MP61T5-2	24 VDC	1.0
Inline Manifold of (6) 2-way Normally Closed Valves						
1/4 - 28	0.062"	30	28	SV74MP25T6-1	12 VDC	1.5
1/4 - 28	0.062"	30	28	SV74MP25T6-2	24 VDC	1.5

Alternate voltage of 6 VDC & 115V/60 HZ available upon request. Please consult factory for availability & part number.
 High pressure version available up to 100 PSI (-HP). Please consult factory for availability of specific constructions.