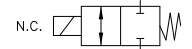
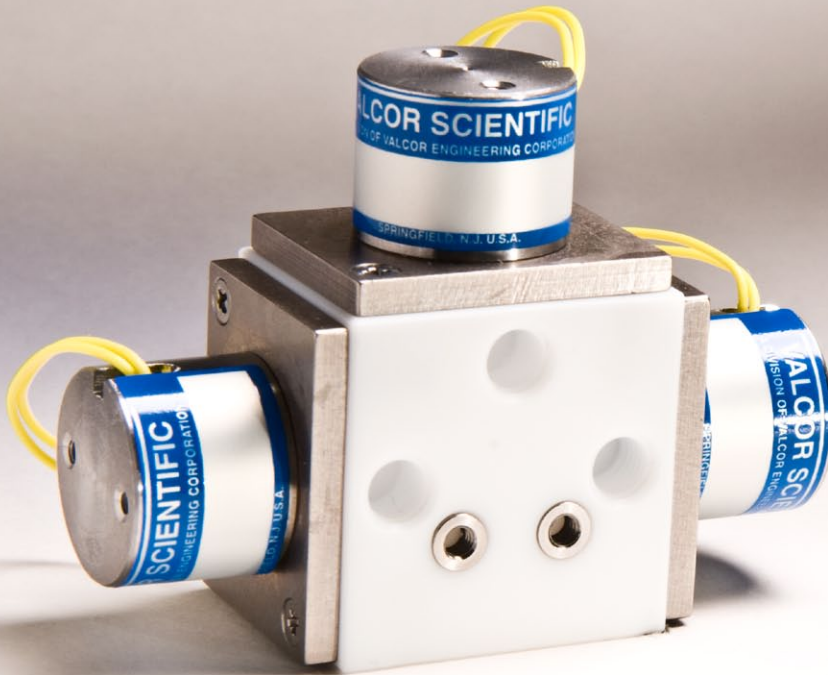


# SV74GM

Gradient Manifold of 3 Valves  
2-way Normally Closed  
Diaphragm Isolation Construction



Valcor Teflon Instrumentation Series



## DESCRIPTION

The SV74GM series gradient valve manifold configuration incorporates Valcor's compact 2-way normally closed diaphragm isolation solenoid valves into a multi position manifold body. The bidirectional design of the SV74 series allows the manifold to have a common pressure port flowing to multiple lines or pressures from multiple ports flowing to a common. Standard construction is equipped with Teflon body and isolation diaphragm.

## APPLICATIONS

The SV74GM series gradient valve manifold is suitable for a broad range of applications, including:

- Ink jet printers
- Chromatography
- Clinical or chemical analyzers
- Chemical mixing/dispensing
- Laboratory equipment

## FEATURES

- Diaphragm isolation construction for high purity processes
- Handles corrosive and aggressive fluids
- Compact low dead volume design
- Bidirectional flow
- Low power consumption solenoid
- Direct acting

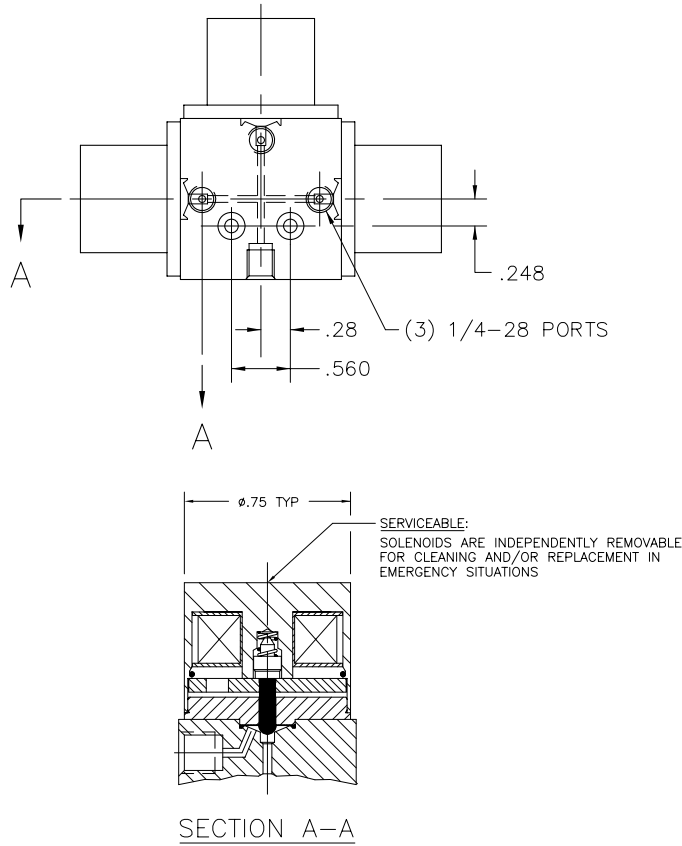


## VALCOR SV74GM (Gradient Manifold of 3 Valves) SPECIFICATIONS

### Construction

#### Valve Parts in Contact with Fluid

Body	Teflon
Diaphragm	Teflon
Other Parts	
Armature	430F SS
Spring	303 SS
Coil Housing	Nickel Plated Steel
Base Plate	Nickel Plated Steel



### Specifications

Port Size	Orifice Size (ins.)	Max. Operating Pressure		Model Number	Voltage	Wattage
		Gas & Liquid (PSI)	Vacuum (in. Hg)			
SV74GM 2-way Normally Closed, Gradient Manifold of (3)						
1/4 - 28	0.040"	30	28	SV74GMP61T3-1	12 VDC	1.0
1/4 - 28	0.040"	30	28	SV74GMP61T3-2	24 VDC	1.0
1/4 - 28	0.062"	30	28	SV74GMP25T3-1	12 VDC	1.5
1/4 - 28	0.062"	30	28	SV74GMP25T3-2	24 VDC	1.5
1/4 - 28	0.095"	30	28	SV74GMP60T3-1	12 VDC	4.2
1/4 - 28	0.095"	30	28	SV74GMP60T3-2	24 VDC	4.2
1/8" NPS*	0.156"	30	28	SV74GMP48T3-1	12 VDC	7.2
1/8" NPS*	0.156"	30	28	SV74GMP48T3-2	24 VDC	7.2

Alternate voltage of 6 VDC ('-0') & 115V/60 HZ ('-3') available upon request. Please consult factory for availability & part number. High pressure version available up to 100 PSI ('-HP'). Please consult factory for availability of specific constructions.

\*1/8"-27 NPS (National Pipe Straight) thread. Flat bottom.