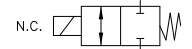
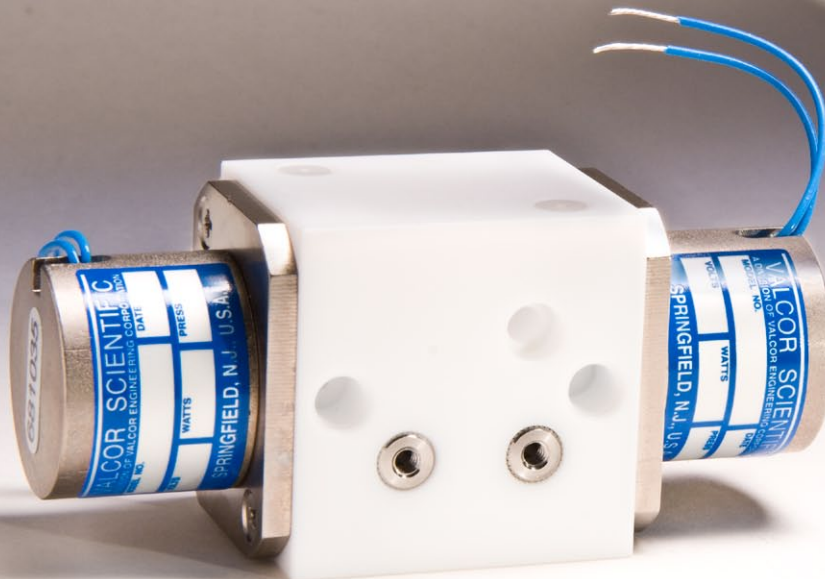


SV74GM

Gradient Manifold of 2 Valves
2-way Normally Closed
Diaphragm Isolation Construction



Valcor Teflon Instrumentation Series



DESCRIPTION

The SV74GM series gradient valve manifold configuration incorporates Valcor's compact 2-way normally closed diaphragm isolation solenoid valves into a multi position manifold body. The bidirectional design of the SV74 allows the manifold to have a common pressure port flowing to multiple lines or pressures from multiple ports flowing to a common. Standard construction is equipped with Teflon body and isolation diaphragm.

APPLICATIONS

The SV74 series gradient valve manifold is suitable for a broad range of applications, including:

- Ink jet printers
- Chromatography
- Clinical or chemical analyzers
- Chemical mixing/dispensing
- Laboratory equipment

FEATURES

- Diaphragm isolation construction for high purity processes
- Handles corrosive and aggressive fluids
- Compact low dead volume design
- Bidirectional flow
- Low power consumption solenoid
- Direct acting

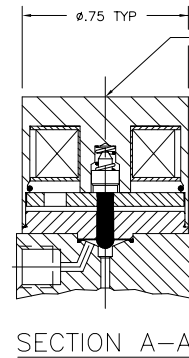
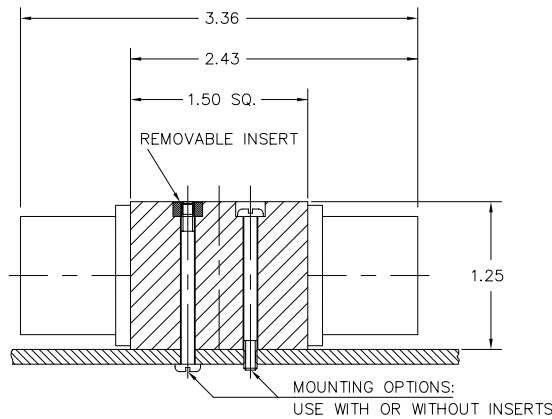
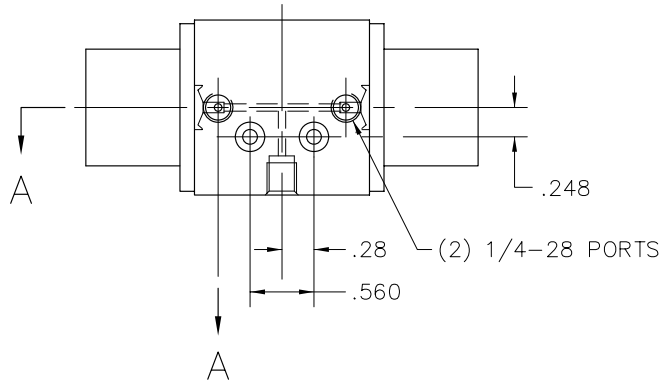


VALCOR SV74GM (Gradient Manifold of 2 Valves) SPECIFICATIONS

Construction

Valve Parts in Contact with Fluid

Body	Teflon
Diaphragm	Teflon
Other Parts	
Armature	430F SS
Spring	303 SS
Coil Housing	Nickel Plated Steel
Base Plate	Nickel Plated Steel



SERVICEABLE:
SOLENOIDS ARE INDEPENDENTLY REMOVABLE FOR CLEANING AND/OR REPLACEMENT IN EMERGENCY SITUATIONS

Specifications

Port Size	Orifice Size (ins.)	Max. Operating Pressure		Model Number	Voltage	Wattage
		Gas & Liquid (PSI)	Vacuum (in. Hg)			
SV74GM 2-way Normally Closed, Gradient Manifold of (2)						
1/4 - 28	0.062"	30	28	SV74GMP25T2-1	12 VDC	1.5
1/4 - 28	0.062"	30	28	SV74GMP25T2-2	24 VDC	1.5
1/4 - 28	0.095"	30	28	SV74GMP60T2-1	12 VDC	4.2
1/4 - 28	0.095"	30	28	SV74GMP60T2-2	24 VDC	4.2
1/8" NPS*	0.156"	30	28	SV74GMP48T2-1	12 VDC	7.2
1/8" NPS*	0.156"	30	28	SV74GMP48T2-2	24 VDC	7.2
1/4 - 28	0.062"	30	28	SV74MP25T4-2	24 VDC	1.5
1/4 - 28	0.095"	30	28	SV74MP60T4-1	12 VDC	4.2
1/4 - 28	0.095"	30	28	SV74MP60T4-2	24 VDC	4.2

Alternate voltage of 6 VDC & 115V/60 HZ available upon request. Please consult factory for availability & part number.

High pressure version available up to 100 PSI (-HP*). Please consult factory for availability of specific constructions.

* 1/8" -27 NPS (National Pipe Straight) thread. Flat bottom.