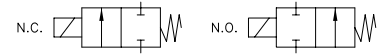
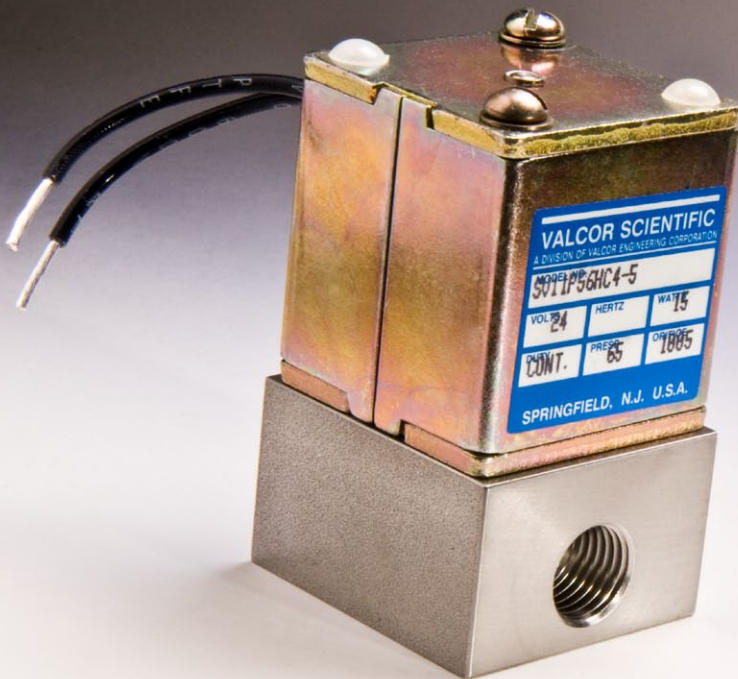


SV11, SV12

2-way Normally Closed and Normally Open
Shear Seal/Floating Disc Construction



Valcor General Purpose Series



DESCRIPTION

The SV11, SV12 series are direct acting, 2-way normally closed and normally open solenoid valves. The straight-thru flow path allows for high flow of non corrosive fluids and gases with no minimum pressure required for operation. 1 PSI minimum pressure differential is needed in the direction of flow for bubble tight sealing.

APPLICATIONS

The SV11, SV12 are suitable for a broad range of light industrial applications. Typical applications include:

- Vacuum pumps
- Water analysis
- Wafer cleaning for semiconductor industries
- Waste/drain valve

FEATURES

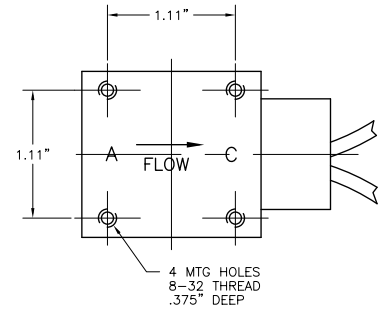
- Direct acting, shear seal design provides tight sealing
- Straight-thru flow path permits high flow
- Rugged SS and brass body handles variety of fluids
- Wide range of seals for specialty fluids
- High pressure rating up to 1000 PSI



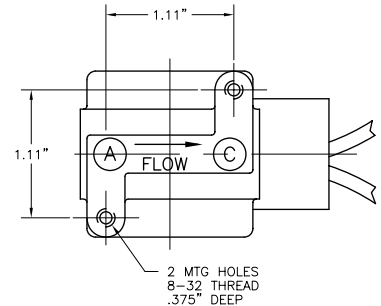
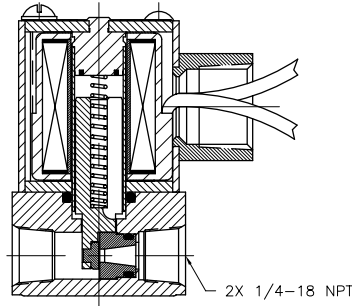
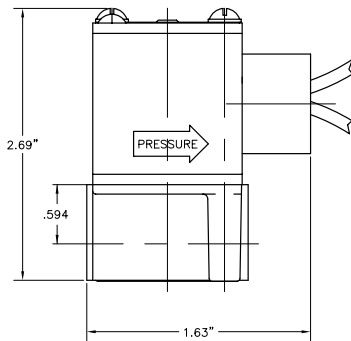
VALCOR SV11 SPECIFICATIONS

Construction

Valve Parts in Contact with Fluid	
Body	Brass / SS
Shear Seal Disc	Teflon
Body Seal	Buna-N, Viton
Plunger Tube	303 SS
Plunger	430F SS
Shading Coil	Silver
Plunger Stop	430F SS
Spring	303 SS
Options: EPDM, Neoprene body seal available	



SV11 STAINLESS STEEL BODY



SV12 BRASS BODY

Electrical

Standard voltages	115/60 AC & 24/VDC. Consult factory for other voltages
Standard coil housing	General purpose with 1/2" NPT conduit Explosion proof and grommeted pigtail housings are also available. Consult factory Replace 1st "C" in part number with "E" for explosion proof Replace 1st "C" in part number with "G" for grommeted pigtails. Example: SV11E89C8-4 for explosion proof solenoid.

Specifications

Port Size (NPT)	Orifice Size (ins.)	C _v	Max. Operating Pressure (PSIG)		Model Number		Wattage	
			Gas	Liquid	SS Body	Brass Body	115/60Hz	24/DC
2-way Normally Closed								
1/4	1/16	0.19	1000	900	SV11C19C4-1	SV12C19C4-1	10	
1/4	1/16	0.19	725	675	SV11C56HC4-1	SV12C56HC4-1		15
1/4	3/32	0.26	550	500	SV11C19C4-2	SV12C19C4-2	10	
1/4	3/32	0.26	240	225	SV11C56HC4-2	SV12C56HC4-2		15
1/4	1/8	0.41	225	175	SV11C19C4-3	SV12C19C4-3	10	
1/4	1/8	0.41	150	140	SV11C56HC4-3	SV12C56HC4-3		15
1/4	3/16	0.95	125	100	SV11C19C4-5	SV12C19C4-5	10	
1/4	3/16	0.95	75	65	SV11C56HC4-5	SV12C56HC4-5		15
2-way Normally Open								
1/4	1/16	0.19	800	750	SV11C19O4-1	SV12C19O4-1	10	
1/4	1/16	0.19	500	475	SV11C56HO4-1	SV12C56HO4-1		15
1/4	3/32	0.26	400	375	SV11C19O4-2	SV12C19O4-2	10	
1/4	3/32	0.26	250	225	SV11C56HO4-2	SV12C56HO4-2		15

NOTE: Minimum pressure differential of 1 PSI in the direction of flow is required for shut-off