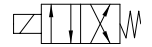
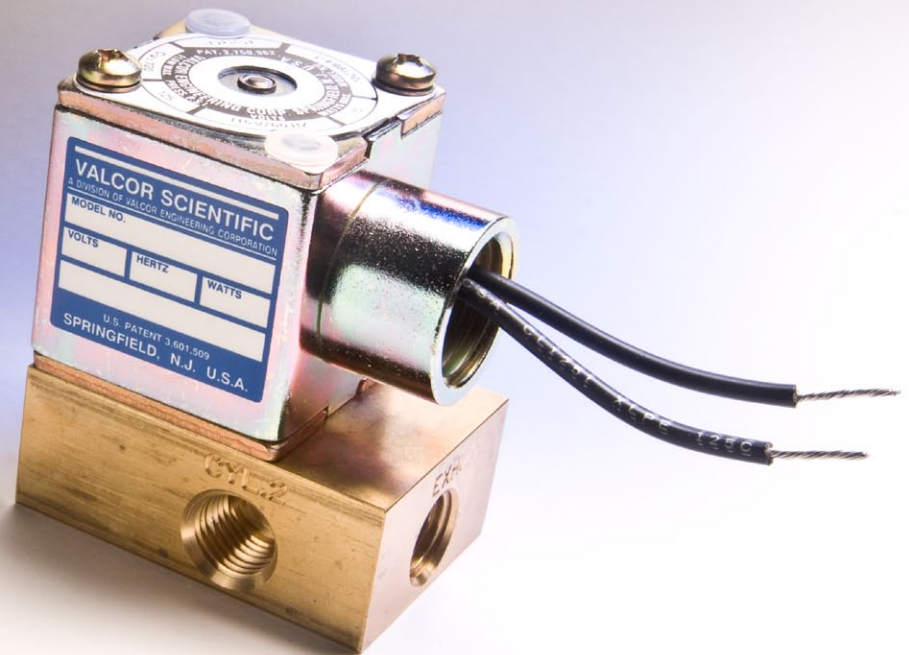


# SV10

4-Way, 4 Ports, 2 Position  
Direct Acting



Valcor General Purpose Series



## DESCRIPTION

The SV10 series is a 4-way, direct acting, 4 port, 2-position solenoid valve series. This valve design is primarily used for controlling double-acting air or hydraulic cylinders. No minimum pressure is required for operation, and less than 1 PSI pressure differential in the direction of flow is needed for bubble-tight sealing.

## APPLICATIONS

The SV10 series is suitable for a broad range of light industrial applications including:

- Control of cylinders in packaging equipment
- Control of quarter-turn pneumatic actuator use in process control
- Control of air vanes or dampers

## FEATURES

- Direct acting design is less prone to hanging up
- Shear seal wiping action is "self cleaning"
- Straight thru flow provides high Cv in small package
- Compact construction is ideal for tight installations



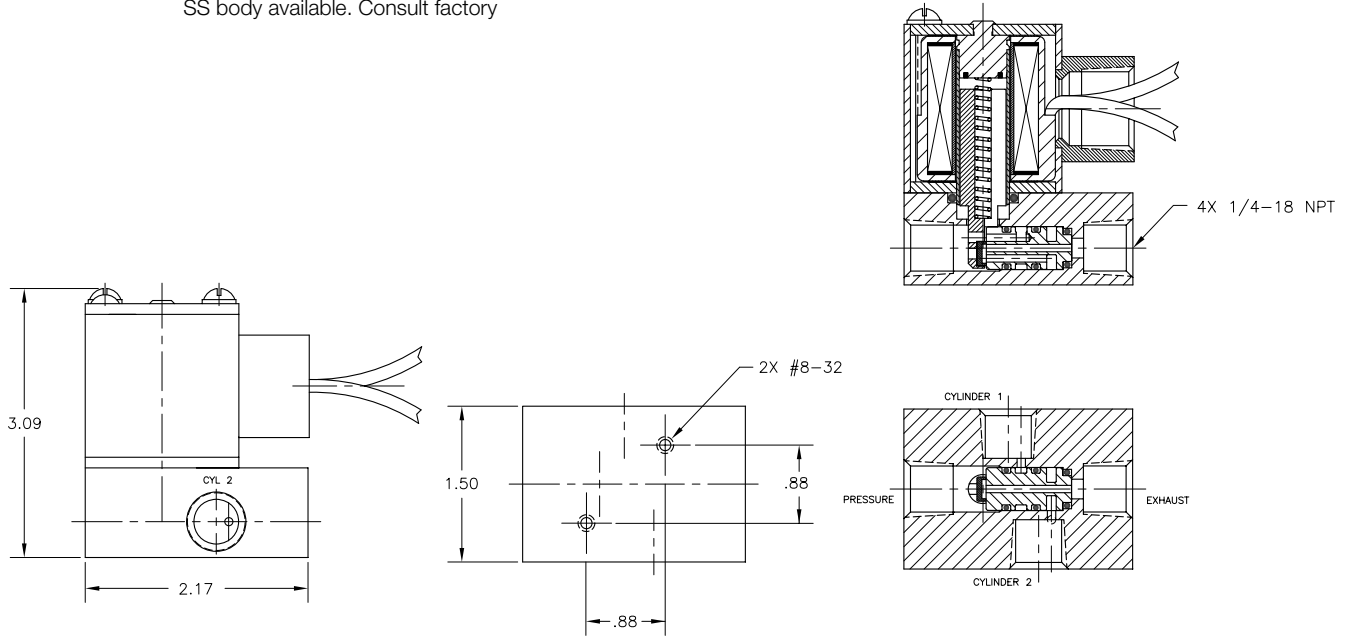
# VALCOR SV10 SPECIFICATIONS

## Construction

### Valve Parts in Contact with Fluid

Body	Brass
Shear Seal Disc	Delrin
Body Seal	Neoprene
Plunger Tube	303 SS
Plunger	430F SS
Shading Coil	Silver
Plunger Stop	430F SS
Spring	303 SS
4-way seat	303 SS

Options: EPDM, Buna N or Viton body seal available.  
SS body available. Consult factory



## Electrical

Standard voltages 115/60 AC & 24/VDC. Consult factory for other voltages

Standard coil housing General purpose with 1/2" NPT conduit.  
Explosion proof and grommeted pigtailed housing are also available. Consult factory.  
Replace 1st "C" in part number with "E" for explosion proof.  
Replace 1st "C" in part number with "G" for grommeted pigtailed.  
Example: SV10E19B4-1 for explosion proof solenoid.

## Specifications- 4 Ports, 2 Position, 4-Way valve

Port Size (NPT)	Orifice Size (ins.)	C <sub>v</sub> Pressure Port to Cylinder	C <sub>v</sub> Cylinder Port to Exhaust	Min. Pressure Differential (PSI)	Max. Operating Pressure (PSIG)		Model Number	Wattage	
					Gas	Liquid		Brass Body	115/60Hz
1/4	1/16	0.1	0.07	1	125	100	SV10C19B4-1	10	
1/4	1/16	0.1	0.07	1	125	100	SV10C56HB4-1		15

Optional o-rings are available by replacing the last digit of part number with "2" for Viton, "6" for Buna N, and "7" for EPDM